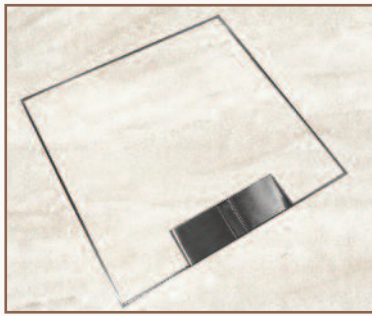


*Standard Finish: M08-ST-TR-SAT*



Lid option -  
Stainless steel. Lid  
recess made to suit  
floor covering

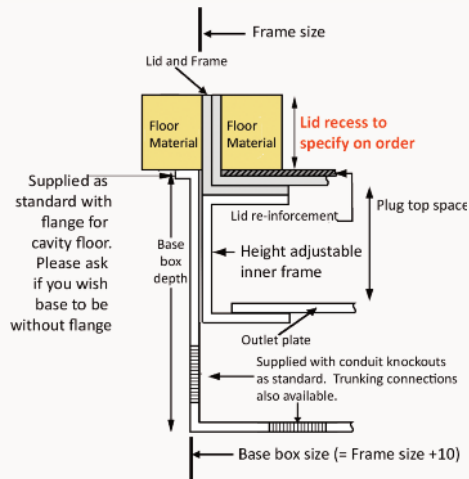
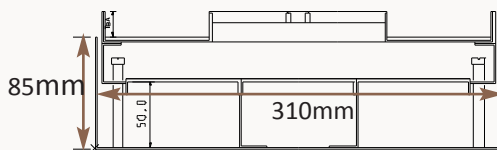
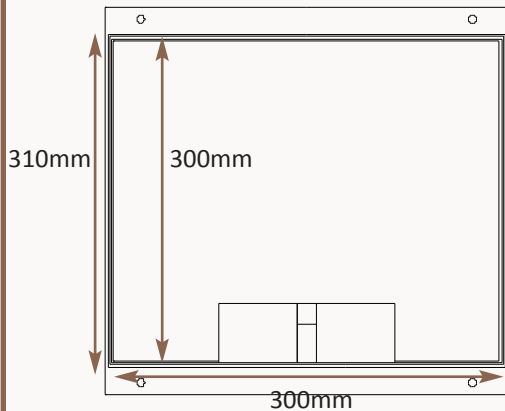
Flap option  
Pair of individually opening  
and sprung closed outlet flaps

Frame option  
Standard trimless finish

Inner frame option  
Height adjustable inner frame  
ensures perfect on site levelling.  
30mm overall height gives  
28.5mm plug top space

Outlet plate  
options  
Fits 3 standard  
outlet plates.

Base box option  
85mm deep base  
20 & 25mm conduit knockouts



Frame size 300x300mm  
Base box size 310x310mm  
Lid recess - advise on order to suit floor covering  
Base with 20 & 25mm conduit knockouts in base and sides

*Other Options for the M08-ST:*

M08-ST-FL-SAT Satin stainless steel 12.5mm trim flange, recessed lid

M08-ST-FL-MIR Mirror Polished stainless steel 12.5mm trim flange, recessed lid

M08-ST-TR-MIR Mirror Polished stainless steel trimless, recessed lid

MIN-FLTLID Extra to a flat instead of recessed lid

MIN-LOCK Extra to supply lid and frame with a cam lock

MIN-IP65 Extra to supply the frame as sealed to IP65 when not in use

SB73RETRO Retro style base box fitting entirely within frame

