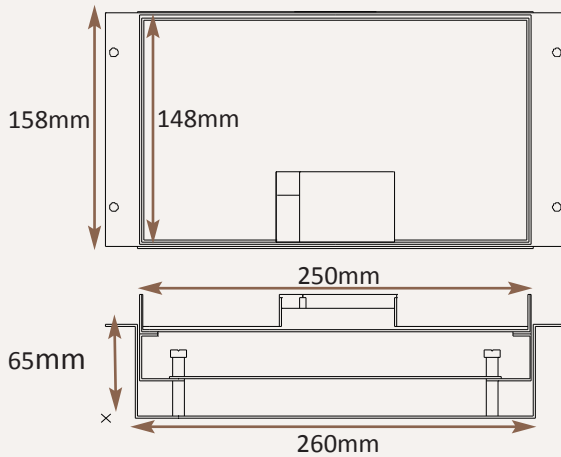
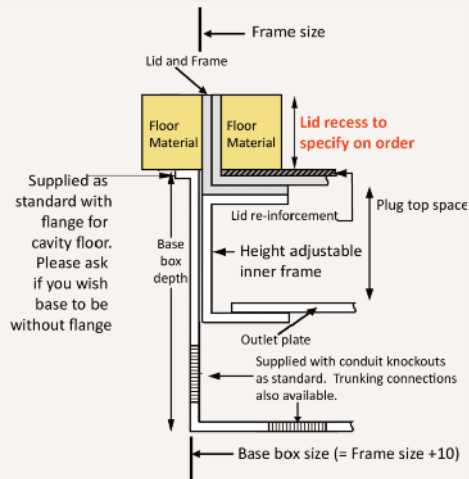
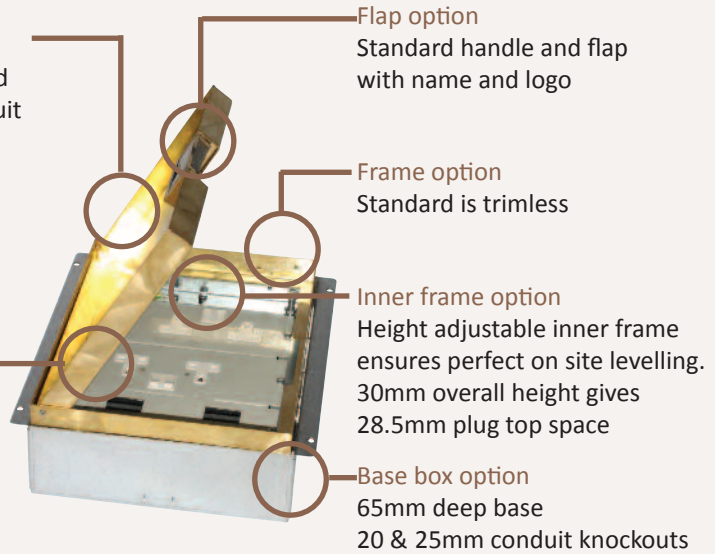


*Standard Finish: M16-BR-TR-SAT*



Lid option -  
Brushed brass. Lid  
recess made to suit  
floor covering

Outlet plate  
options  
Fits 1 standard  
outlet plate.



Frame size 250x148mm (with 12mm overall visible flange)  
Base box size 260x158mm  
Lid recess - advise on order to suit floor covering  
Base with 20 & 25mm conduit knockouts in base and sides

*Other Options for the M16-BR:*

- M16-BR-FL-SAT      Satin brass 12.5mm trim flange, recessed lid
- M16-BR-FL-MIR      Mirror Polished brass 12.5mm trim flange, recessed lid
- M16-BR-TR-MIR      Mirror Polished brass trimless, recessed lid
- MIN-FLTLID          Extra to a flat instead of recessed lid
- MIN-LOCK            Extra to supply lid and frame with a cam lock
- SB71RETRO          Retro stlye base box fitting entirely within frame
- 700-BRONZE          Antique Bronze finish (Antique Brass and Jordan Bronze also available)

