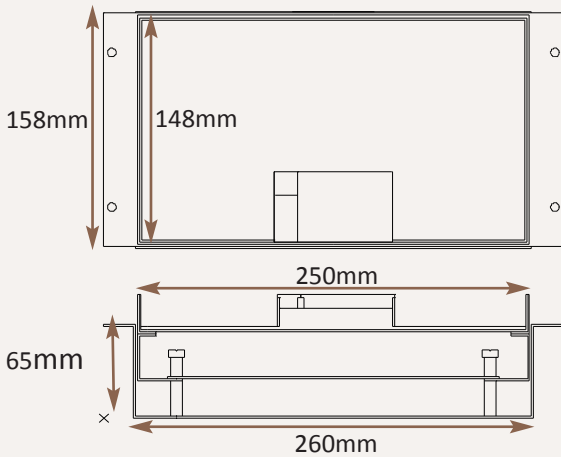


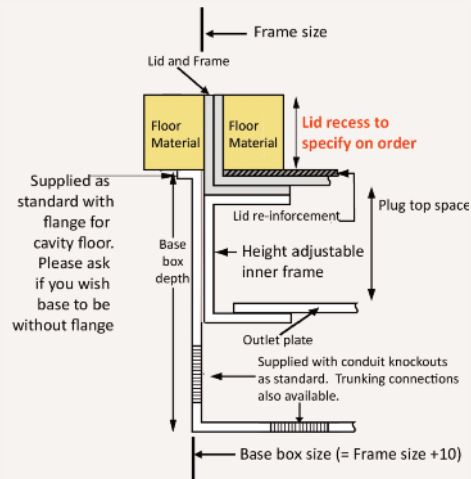
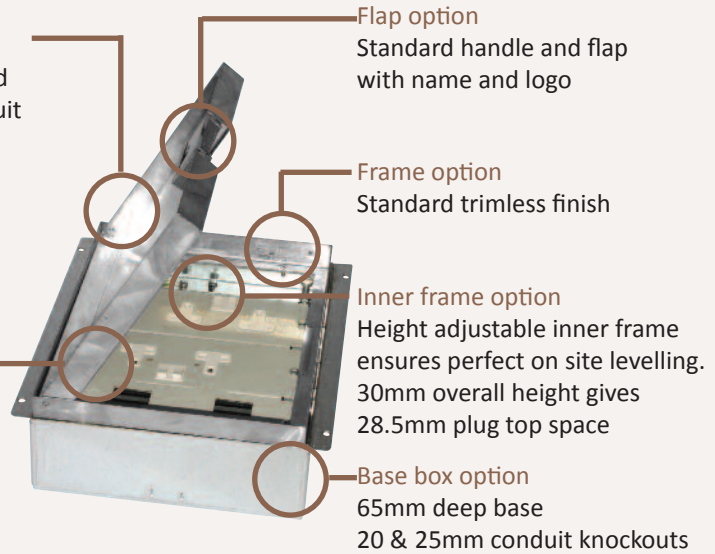
Standard Finish: M16-ST-TR-SAT



Frame size 250x148mm
 Base box size 260x158mm
 Lid recess - advise on order to suit floor covering
 Base with 20 & 25mm conduit knockouts in base and sides

Lid option -
 Stainless steel. Lid
 recess made to suit
 floor covering

Outlet plate
 options
 Fits 1 standard
 outlet plate.



Other Options for the M16-ST:

- M16-ST-FL-SAT Satin stainless steel trim flange, recessed lid
- M16-ST-FL-MIR Mirror Polished stainless steel trim flange, recessed lid
- M16-ST-TR-MIR Mirror Polished stainless steel trimless, recessed lid
- MIN-FLTLID Extra to a flat instead of recessed lid
- MIN-LOCK Extra to supply lid and frame with a cam lock
- MIN-IP65 Extra to supply the frame as sealed to IP65 when not in use
- SB71RETRO Retro stlye base box fitting entirely within frame

IMAGE TO FOLLOW



IMAGE TO FOLLOW

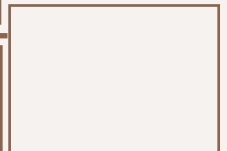


IMAGE TO FOLLOW

