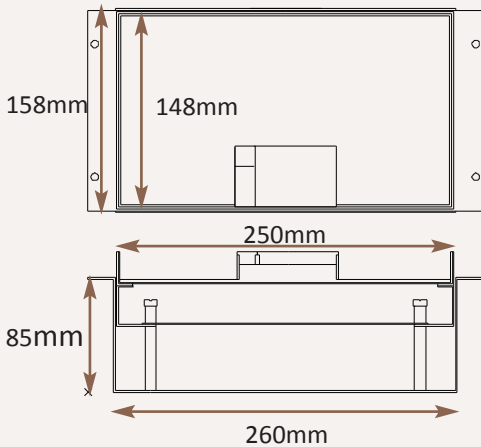
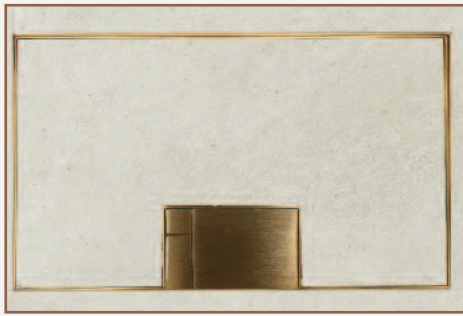
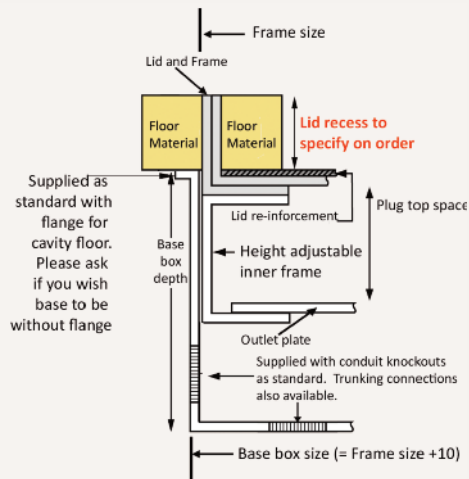
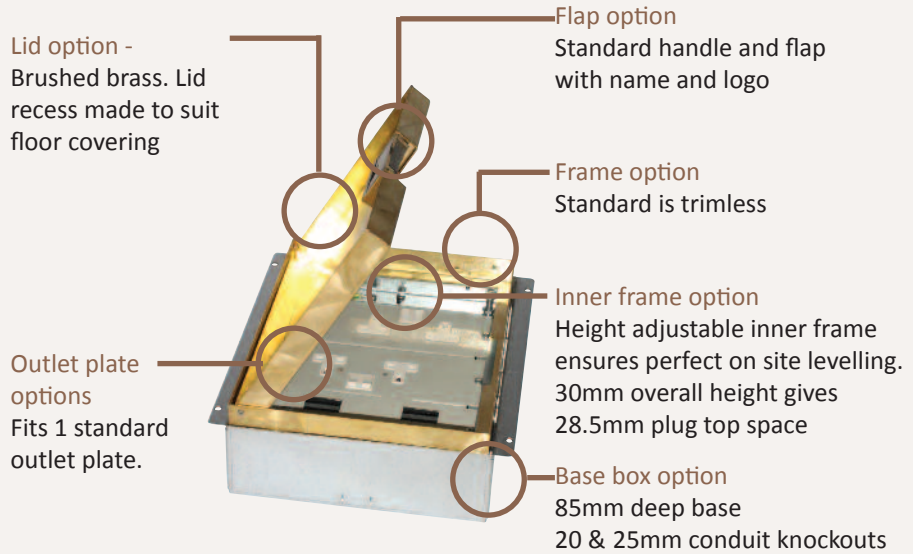


Standard Finish: M18-BR-TR-SAT



Frame size 250x148mm (with 12mm overall visible flange)
 Base box size 260x158mm
 Lid recess - advise on order to suit floor covering
 Base with 20 & 25mm conduit knockouts



Other Options for the M18-BR:

M18-BR-FL-SAT Satin brass 12.5mm trim flange, recessed lid

M18-BR-FL-MIR Mirror Polished 12.5mm brass trim flange, recessed lid

M18-BR-TR-MIR Mirror Polished brass trimless, recessed lid

MIN-FLTLID Extra to a flat instead of recessed lid

MIN-LOCK Extra to supply lid and frame with a cam lock

SB71RETRO Retro stlye base box fitting entirely within frame

700-BRONZE Antique Bronze finish (Antique Brass and Jordan Bronze also available)

