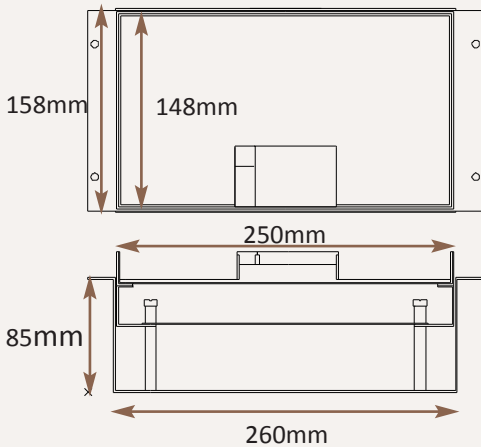
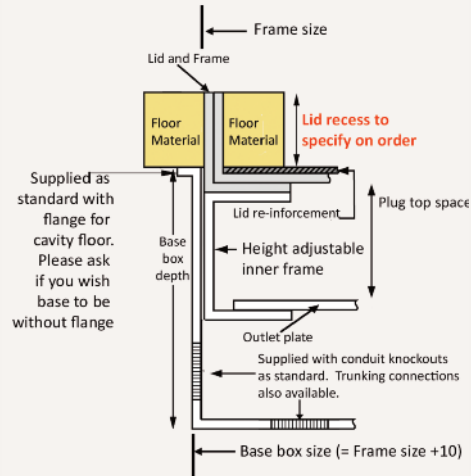
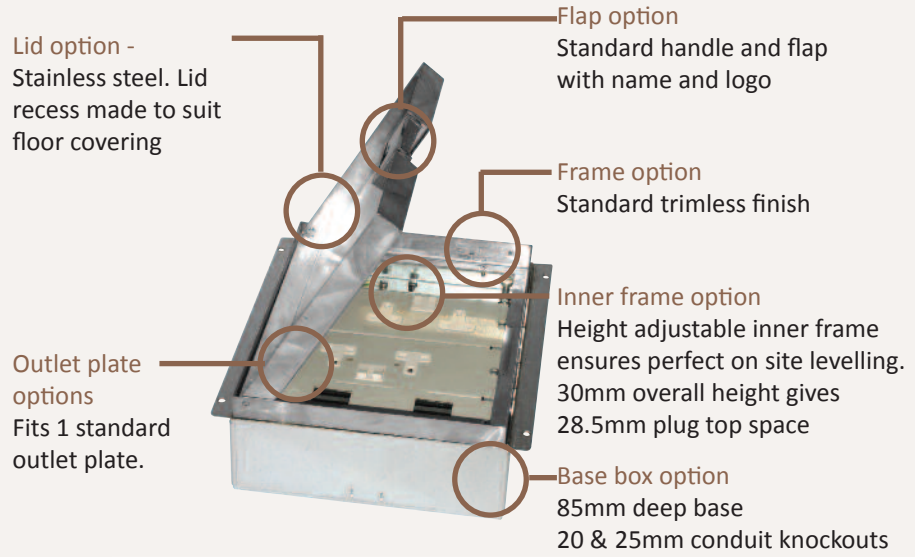


*Standard Finish: M18-ST-TR-SAT*



Frame size 250x148mm  
 Base box size 260x158mm  
 Lid recess - advise on order to suit floor covering  
 Base with 20 & 25mm conduit knockouts in base and sides



*Other Options for the M18-ST:*

- M18-ST-FL-SAT Satin stainless steel | 12.5mm trim flange, recessed lid
- M18-ST-FL-MIR Mirror Polished stainless 12.5mm trim flange, recessed lid
- M18-ST-TR-MIR Mirror Polished stainless steel trimless, recessed lid
- MIN-FLTLID Extra to a flat instead of recessed lid
- MIN-LOCK Extra to supply lid and frame with a cam lock
- MIN-IP65 Extra to supply the frame as sealed to IP65 when not in use
- SB71RETRO Retro stlye base box fitting entirely within frame

