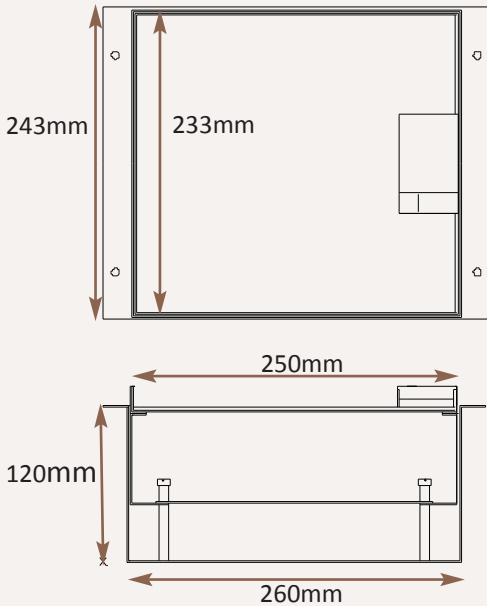
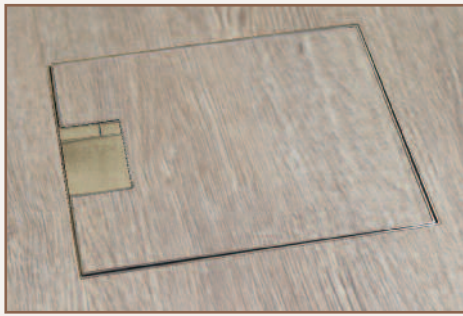


*Standard Finish: M22-ST-TR-SAT*



Frame size 233x250mm  
 Base box size 243x260mm  
 Lid recess - advise on order to suit floor covering  
 Base with 20 & 25mm conduit knockouts in base and sides

*Other Options for the M22-ST:*

- M22-ST-FL-SAT      Satin stainless steel 12.5mm trim flange, recessed lid
- M22-ST-FL-MIR      Mirror Polished stainless steel 12.5mm trim flange, recessed lid
- M22-ST-TR-MIR      Mirror Polished stainless steel trimless, recessed lid
- MIN-FLTLID          Extra to a flat instead of recessed lid
- MIN-LOCK            Extra to supply lid and frame with a cam lock
- MIN-IP65            Extra to supply the frame as sealed to IP65 when not in use
- SB72RETRO          Retro style base box fitting entirely within frame

