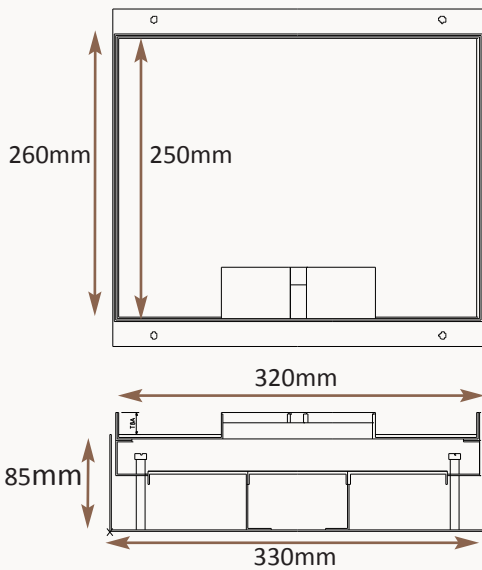
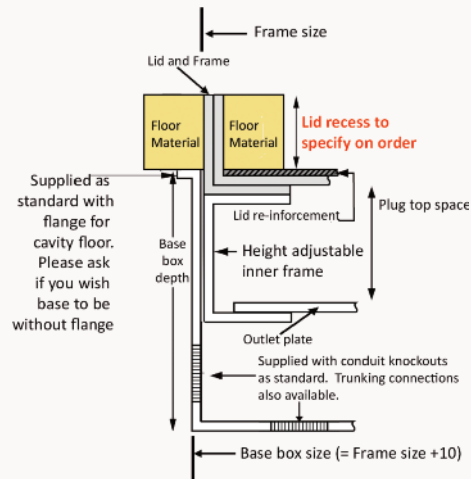
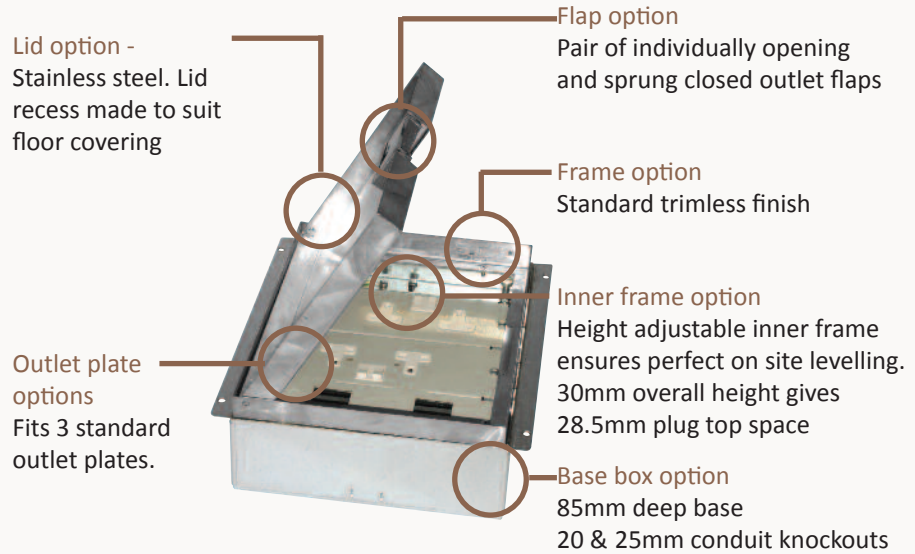


Standard Finish: M38-ST-TR-SAT



Frame size 320x250mm
Base box size 330x260mm
Lid recess - advise on order to suit floor covering
Base with 20 & 25mm conduit knockouts in base and sides



Other Options for the M38-ST:

- M38-ST-FL-SAT Satin stainless steel 12.5mm trim flange, recessed lid
- M38-ST-FL-MIR Mirror Polished stainless steel 12.5mm trim flange, recessed lid
- M38-ST-TR-MIR Mirror Polished stainless steel trimless, recessed lid
- MIN-FLTLID Extra to a flat instead of recessed lid
- MIN-LOCK Extra to supply lid and frame with a cam lock
- MIN-IP65 Extra to supply the frame as sealed to IP65 when not in use
- SB73RETRO Retro style base box fitting entirely within frame

