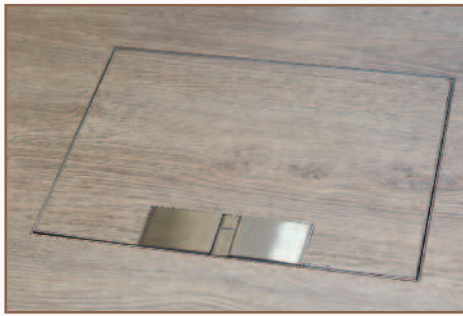


Standard Finish: M46-ST-TR-SAT



Lid option -
Stainless steel. Lid
recess made to suit
floor covering

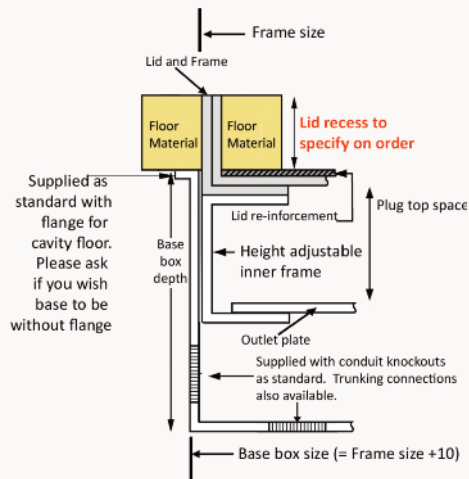
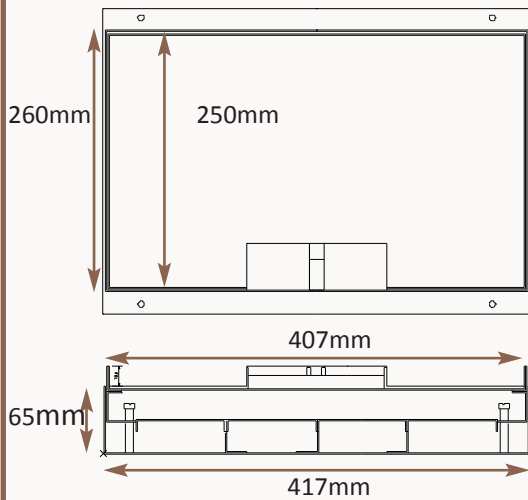
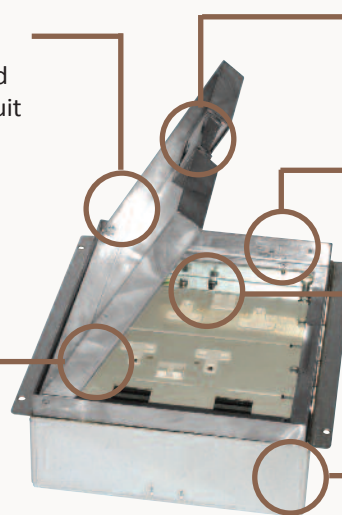
Flap option
Pair of individually opening
and sprung closed outlet flaps

Frame option
Standard trimless finish

Inner frame option
Height adjustable inner frame
ensures perfect on site levelling.
30mm overall height gives
28.5mm plug top space

Outlet plate
options
Fits 4 standard
outlet plates.

Base box option
65mm deep base
20 & 25mm conduit knockouts



Frame size 407x250mm
Base box size 417x260mm
Lid recess - advise on order to suit floor covering
Base with 20 & 25mm conduit knockouts in base and sides

Other Options for the M46-ST:

- M46-ST-FL-SAT Satin stainless steel trim flange, recessed lid
- M46-ST-FL-MIR Mirror Polished stainless steel trim flange, recessed lid
- M46-ST-TR-MIR Mirror Polished stainless steel trimless, recessed lid
- MIN-FLTLID Extra to a flat instead of recessed lid
- MIN-LOCK Extra to supply lid and frame with a cam lock
- MIN-IP65 Extra to supply the frame as sealed to IP65 when not in use
- SB74RETRO Retro style base box fitting entirely within frame

