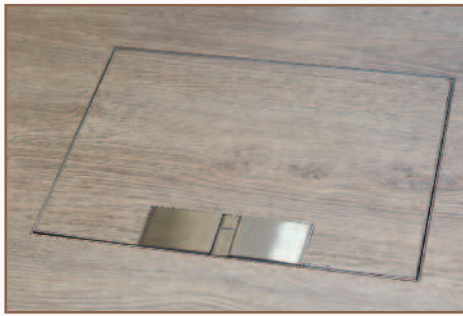
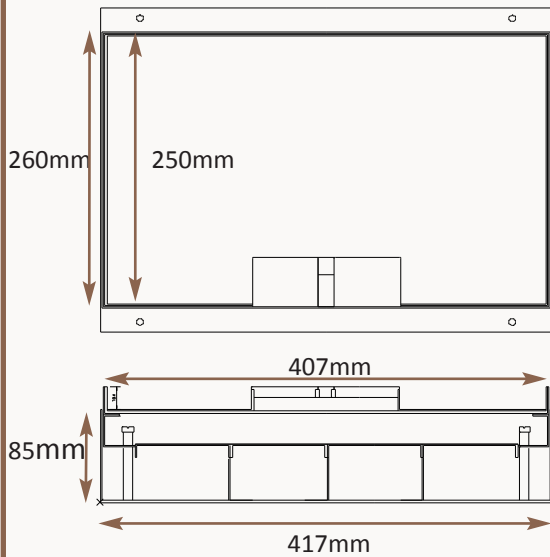


*Standard Finish: M48-ST-TR-SAT*

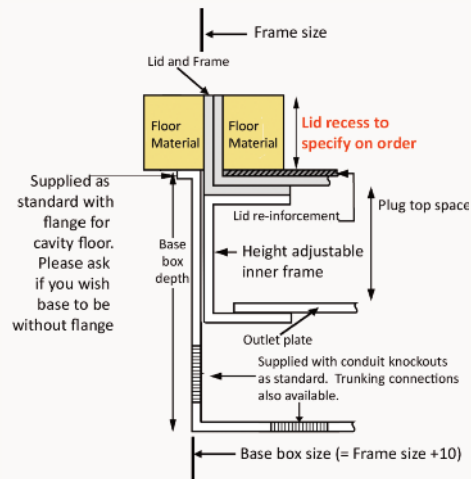
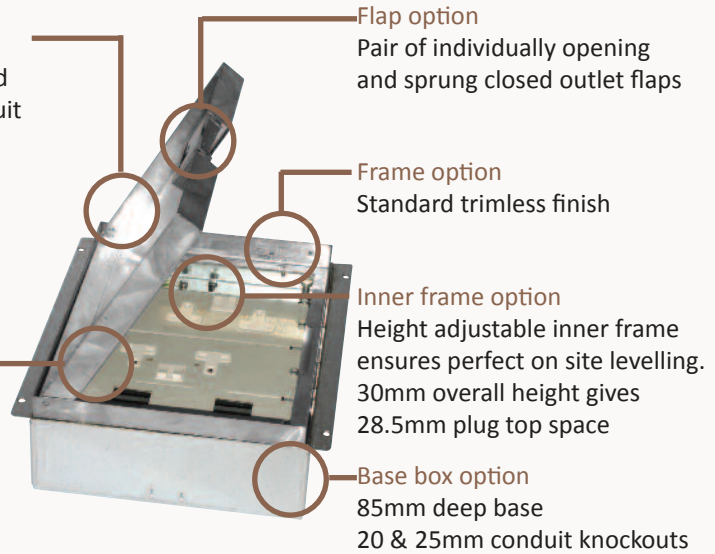


Lid option -  
Stainless steel. Lid  
recess made to suit  
floor covering

Outlet plate  
options  
Fits 4 standard  
outlet plates.



Frame size 407x250mm  
Base box size 417x260mm  
Lid recess - advise on order to suit floor covering  
Base with 20 & 25mm conduit knockouts in base and sides



*Other Options for the M48-ST:*

- M48-ST-FL-SAT      Satin stainless steel trim flange, recessed lid
- M48-ST-FL-MIR      Mirror Polished stainless steel trim flange, recessed lid
- M48-ST-TR-MIR      Mirror Polished stainless steel trimless, recessed lid
- MIN-FLTLID      Extra to a flat instead of recessed lid
- MIN-LOCK      Extra to supply lid and frame with a cam lock
- MIN-IP65      Extra to supply the frame as sealed to IP65 when not in use
- SB74RETRO      Retro stlye base box fitting entirely within frame

