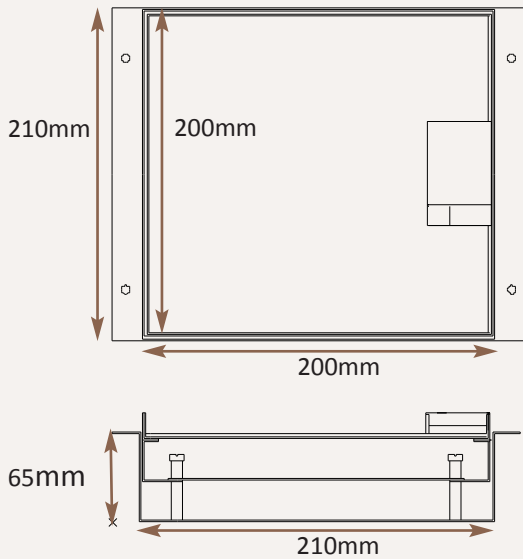
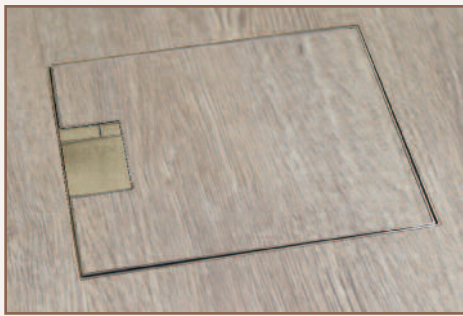


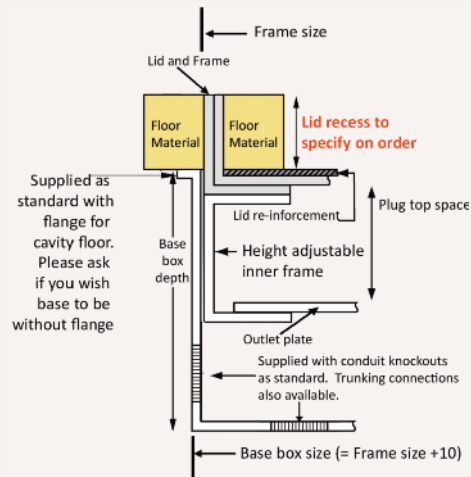
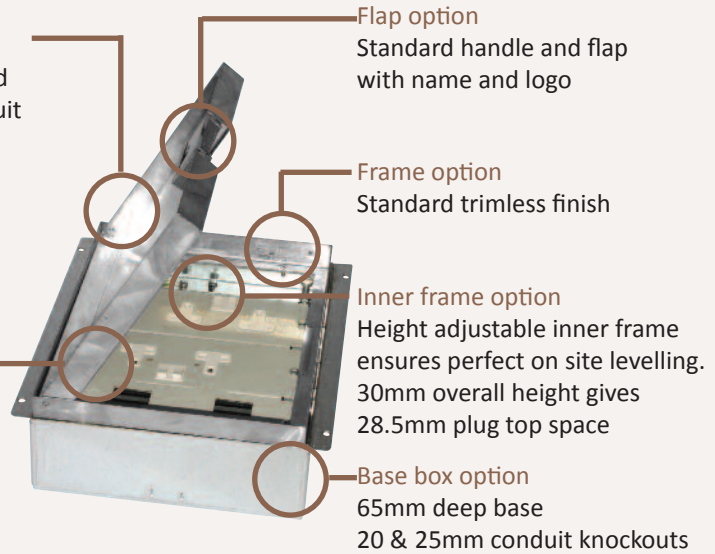
*Standard Finish: MM6-ST-TR-SAT*



Frame size 200x200mm  
 Base box size 210x210mm  
 Lid recess - advise on order to suit floor covering  
 Base with 20 & 25mm conduit knockouts in base and sides

Lid option -  
 Stainless steel. Lid  
 recess made to suit  
 floor covering

Outlet plate  
 options  
 Fits 2 ref 7RO  
 outlet plates.



*Other Options for the MM6-ST:*

MM6-ST-FL-SAT Satin stainless steel 12.5mm trim flange, recessed lid

MM6-ST-FL-MIR Mirror Polished stainless steel 12.5mm trim flange, recessed lid

MM6-ST-TR-MIR Mirror Polished stainless steel trimless, recessed lid

MIN-FLTLID Extra to a flat instead of recessed lid

MIN-LOCK Extra to supply lid and frame with a cam lock

SB7MRETRO Retro style base box fitting entirely within frame

