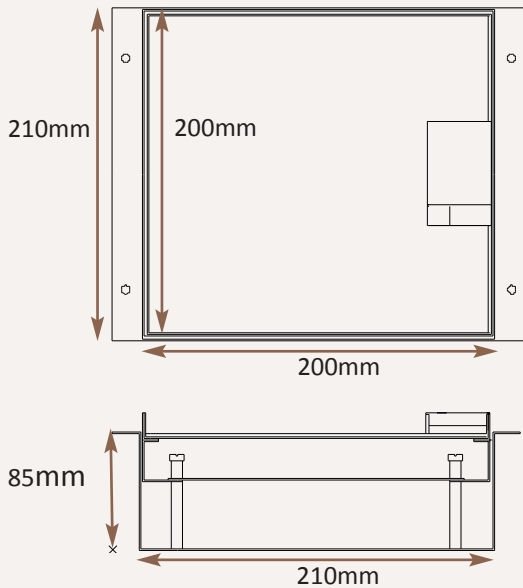
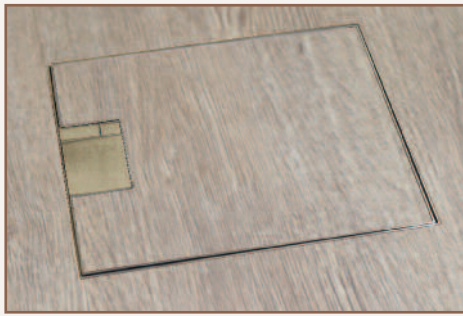
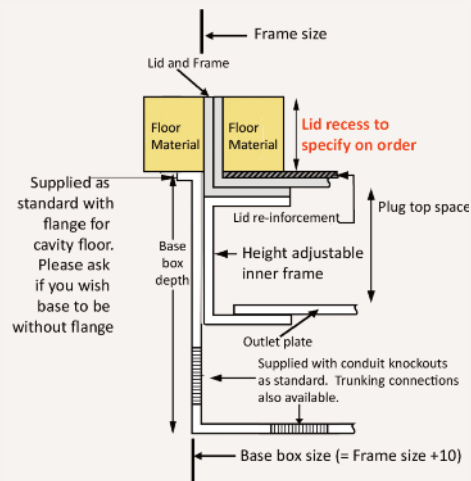
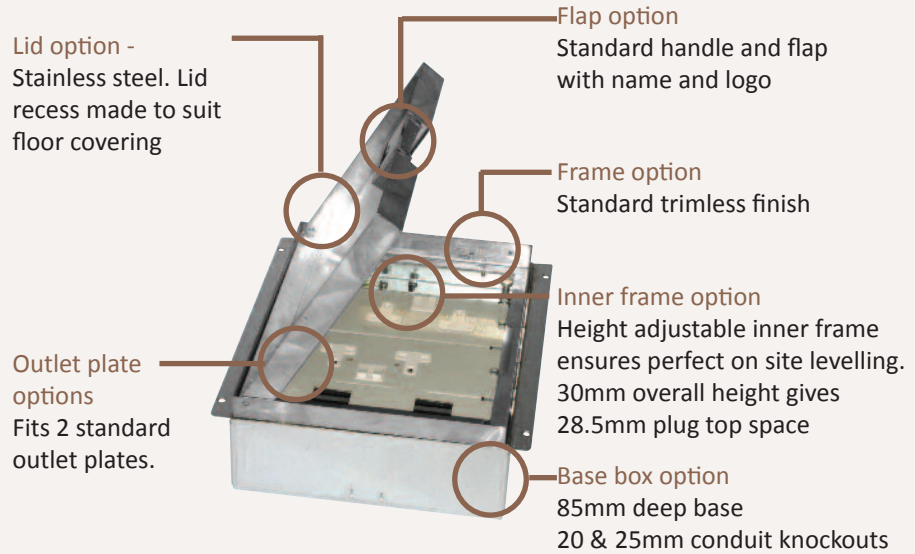


Standard Finish: MM8-ST-TR-SAT



Frame size 200x200mm
Base box size 210x210mm
Lid recess - advise on order to suit floor covering
Base with 20 & 25mm conduit knockouts in base and sides



Other Options for the MM8-ST:

- MM8-ST-FL-SAT Satin stainless steel trim flange, recessed lid
- MM8-ST-FL-MIR Mirror Polished stainless steel trim flange, recessed lid
- MM8-ST-TR-MIR Mirror Polished stainless steel trimless, recessed lid
- MIN-FLTLID Extra to a flat instead of recessed lid
- MIN-LOCK Extra to supply lid and frame with a cam lock
- MIN-IP65 Extra to supply the frame as sealed to IP65 when not in use
- SB7MRETRO Retro stlye base box fitting entirely within frame

IMAGE TO FOLLOW



IMAGE TO FOLLOW

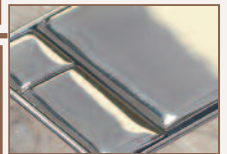


IMAGE TO FOLLOW

