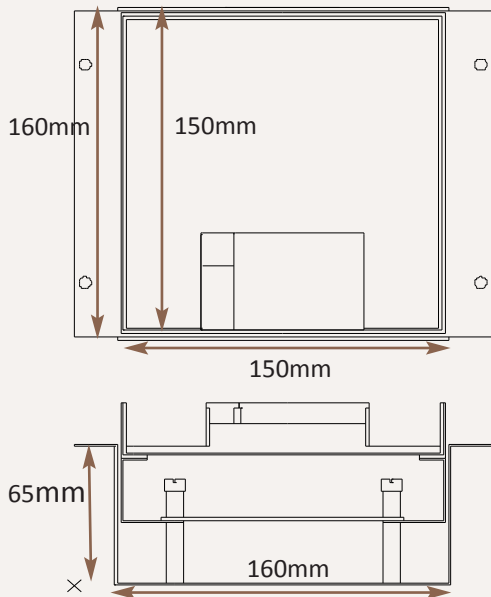
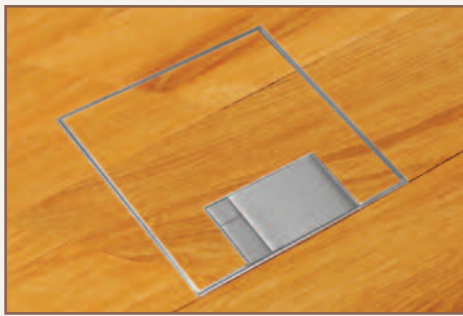


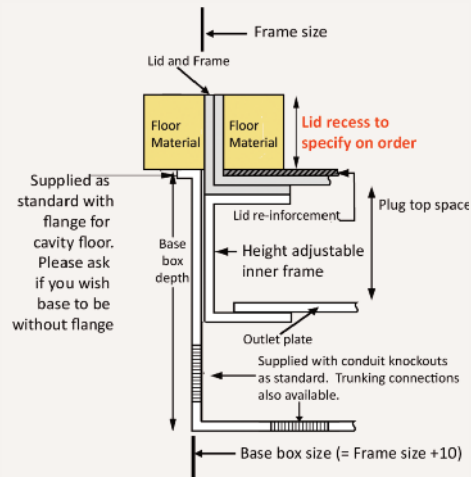
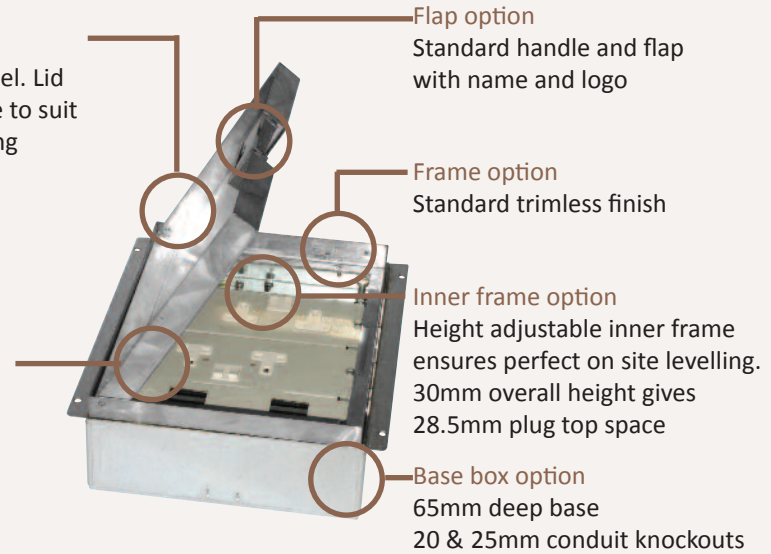
Standard Finish: MS6-ST-TR-SAT



Frame size 150x150mm
Base box size 160x160mm
Lid recess - advise on order to suit floor covering
Base with 20 & 25mm conduit knockouts in base and sides

Lid option -
Stainless steel. Lid
recess made to suit
floor covering

Outlet plate
options
Fits a single
outlet



Other Options for the MS6-ST:

- MS6-ST-FL-SAT Satin stainless steel trim flange, recessed lid
- MS6-ST-FL-MIR Mirror Polished stainless steel trim flange, recessed lid
- MS6-ST-TR-MIR Mirror Polished stainless steel trimless, recessed lid
- MIN-FLTLID Extra to a flat instead of recessed lid
- MIN-LOCK Extra to supply lid and frame with a cam lock
- SB7SRETRO Retro style base box fitting entirely within frame

