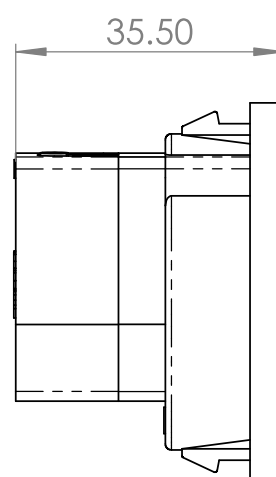
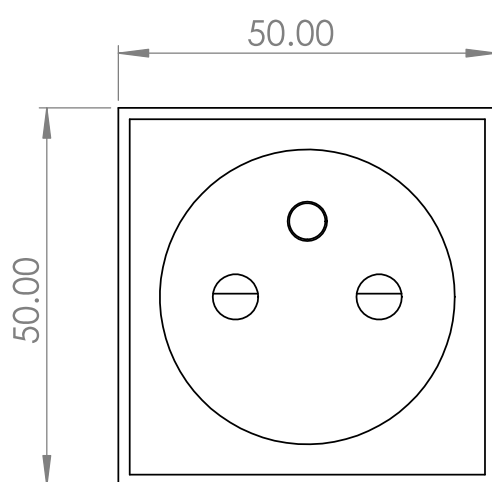


Product Code:

Description:

PE537 16Amp French/ Belgian(shuttered) Socket Module



Compliance:	CE Compliant: 93/68/EEC CEE 7
Module Material:	Polycarbonate
Operational Details:	To be used in conjunction with Easy Clip Faceplates(Euromod).
Mounting Box:	Flush: 47mm ref. M21G47 Surface: 47mm ref. 147P note: Deeper box required for flat plate face plates.
Terminal Capacity:	Live & Neutral: 2 x 2.5mm ² Earth : 2 x 2.5mm ²
Current:	16Amps
Voltage:	230 - 250V a.c.
Frequency:	50Hz
Box Quantity:	10 pieces
Environmental Issues:	Packaging Waste: Cardboard - 0.0013Kg / 125T/125T B Flute Inner bag - 0.0009Kg / LDPE#4 RoHS Compliant - ref: 2002/95/EC The products manufactured & otherwise supplied by the company do not have any perceived or known hazardous materials or by-products that would be deemed hazardous to the environment.