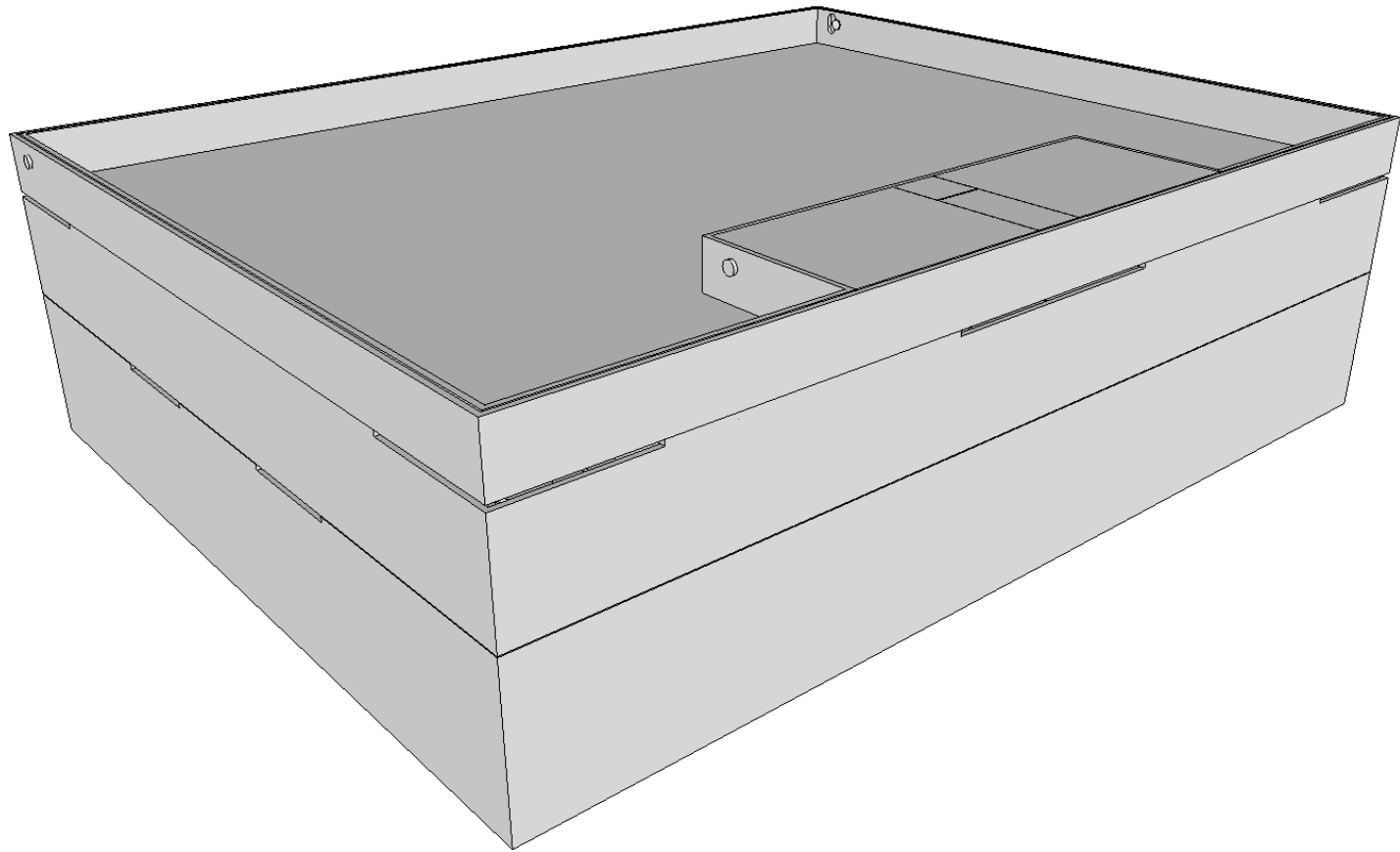


CABLEDUCT
— LIMITED —



INSTALLATION MANUAL

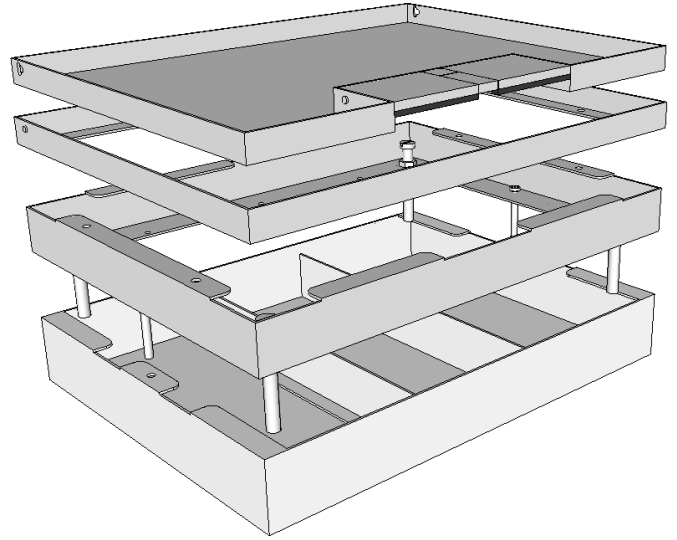
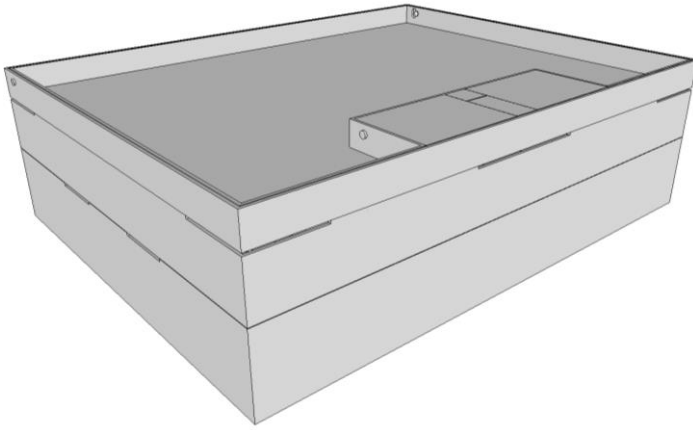
RETRO FIT

Minima & 700 Series

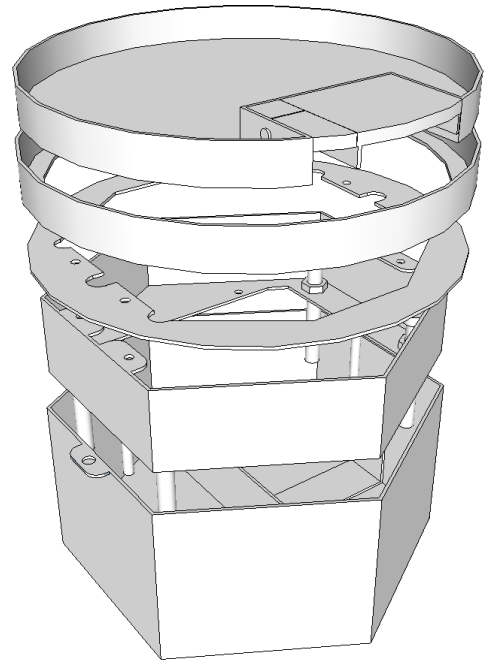
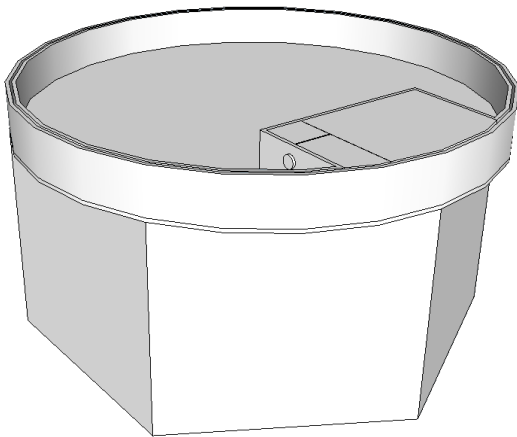
Rectangular, Square & Round

FLOOR BOX INSTALLATION STEPS

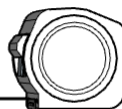
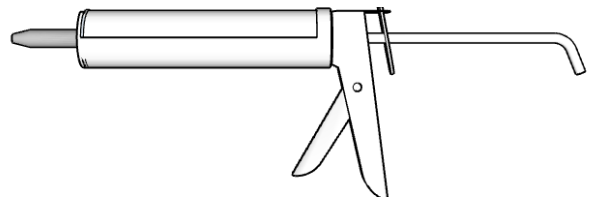
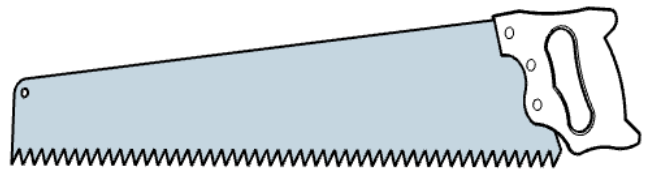
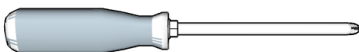
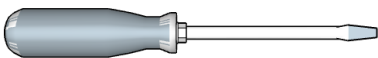
RETRO FIT BASE BOX: Rectangular/Square



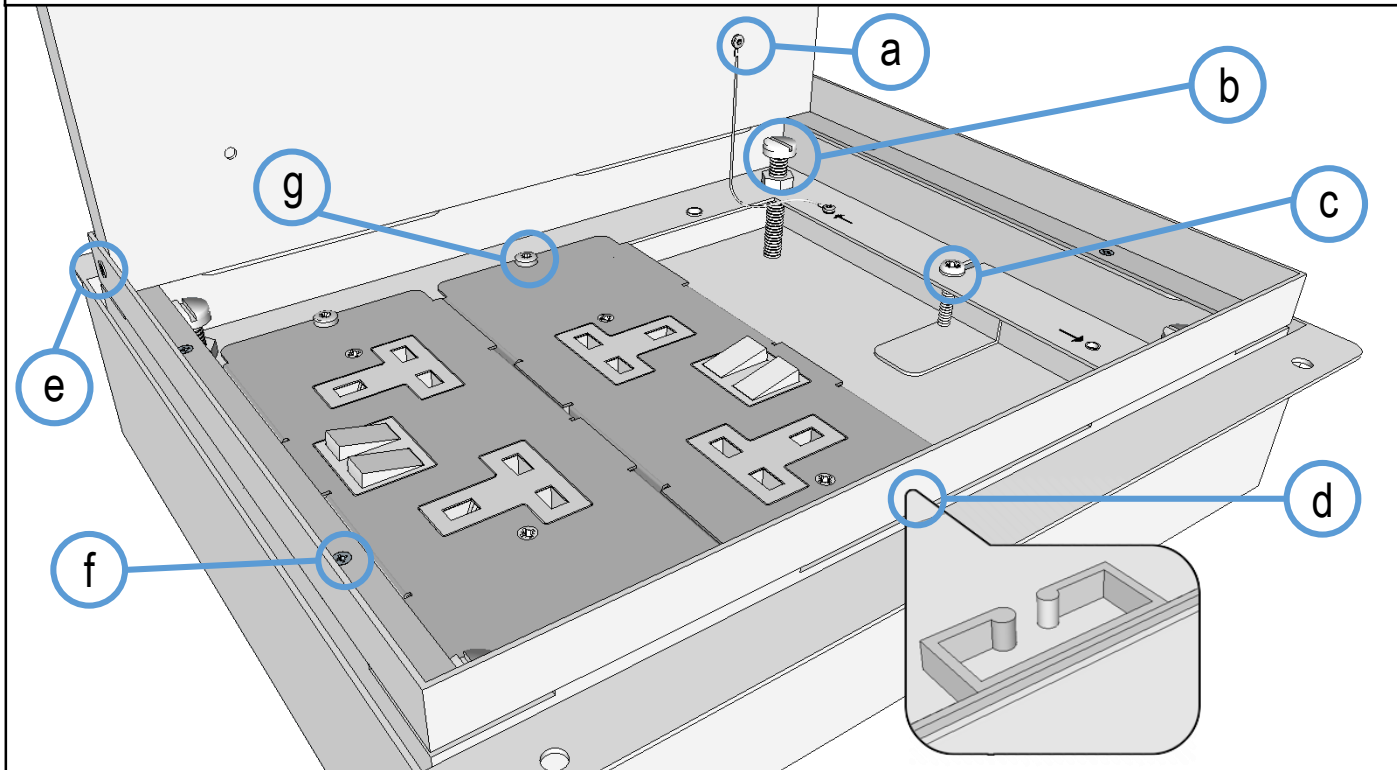
RETRO FIT BASE BOX: Round



TOOLS NEEDED:



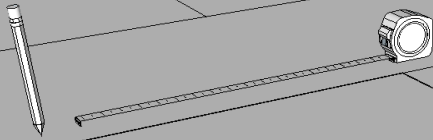
SMALL PARTS BREAK DOWN LIST



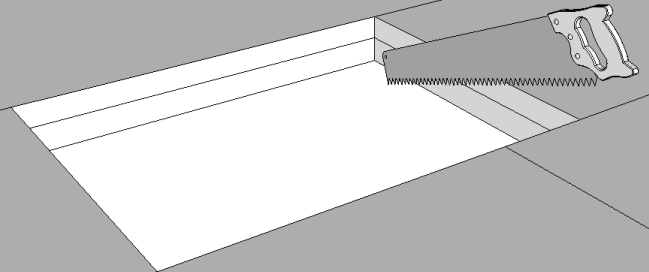
Ref	Item Description	Product Code	Quantity
a	Earth Cable, Earth Screws & Washers	Earth Cable: EARTHWIRE-175mm Earth Screws: M5x4-PH Washers: WASHER-M5x2BA	Earth Cable: 2x Earth Screws: 4x Washers: 4x Per Floor Box
b	Height Adjustment Bolts & Lock Nuts	65mm Base: M8x45-CH 85mm Base: M8x65-CH 120mm Base: M8x80-CH Lock Nut: NUT-M8	Adjustment Bolts: 4x Lock Nuts: 4x Per Floor Box
c	Base & Frame Fixing Screw	65mm Base: M5x20-POZI 85mm Base: M5x40-POZI 120mm Base: M5x40-POZI	2x Per Floor Box
d	Cable Guide	500-CABLE-GUIDE	1 & 2 Compartment Floor Boxes: 1x 3 & 4 Compartment Floor Boxes: 2x
e	Lid Hinge Screws	M5x4-FLAT	2x Per Floor Box
f	Counter Sunk Lid to Frame Fixing Screws	M5x10-CS16	4x Per Floor Box
g	Outlet Plate Fixing Screws	M5x6-PH	2x Per Outlet Plate

Supplied Fitted & Fixed

Supplied Bagged

1

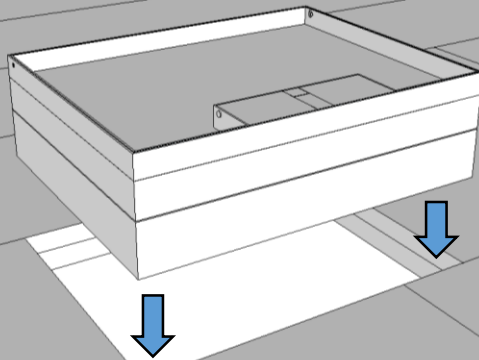
Measure out floor box dimensions in finished floor.
(Please refer to table on page 7 of manual for dimensions)

2

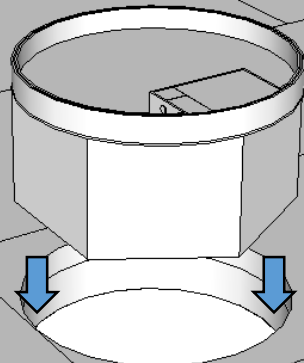
Cut/core out hole in floor finish to be able to fit floor box in.
Alternatively if you have used void formers, remove from screed.

3a

! PLEASE USE SUITABLE FIXINGS TO SAFELY SECURE YOUR FLOOR BOX INTO SUB FLOOR.

**3b**

! PLEASE USE SUITABLE FIXINGS TO SAFELY SECURE YOUR FLOOR BOX INTO SUB FLOOR.

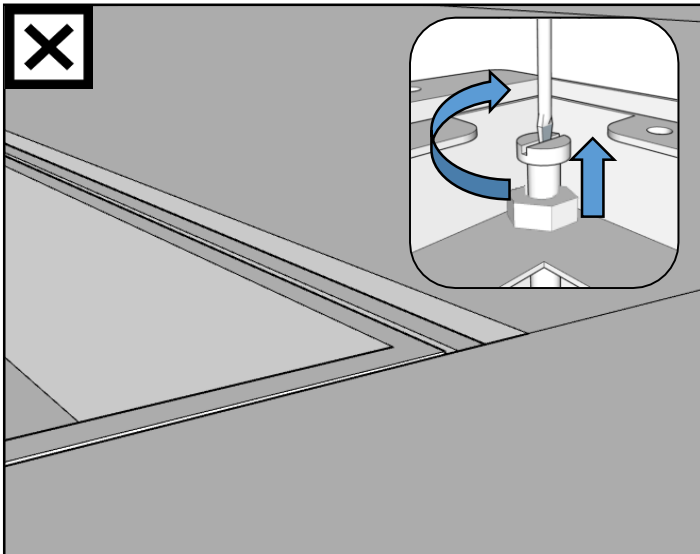


Lower & fit floor box into hole. You will need to consider how the floor box is fixed and supported in floor. Support batons or plinths may be needed in the sub floor as load bearing support aides. Securely fix floor box into sub floor.

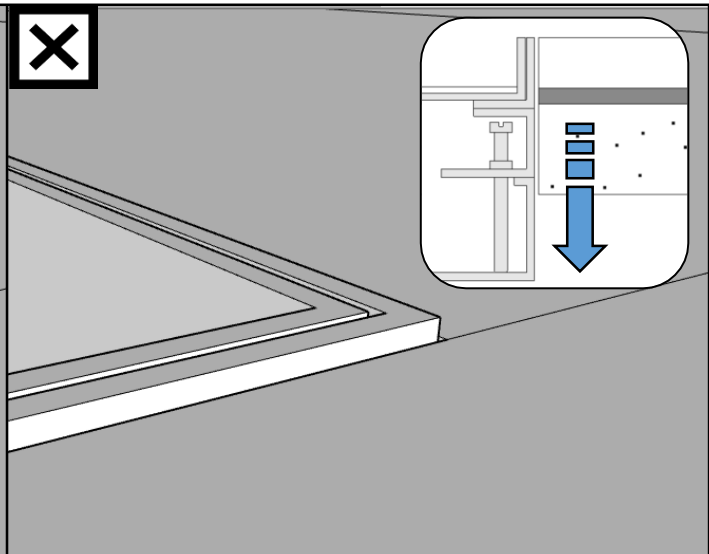
4a

The trim edge of your floor box lid and lid frame should be flush with final floor..

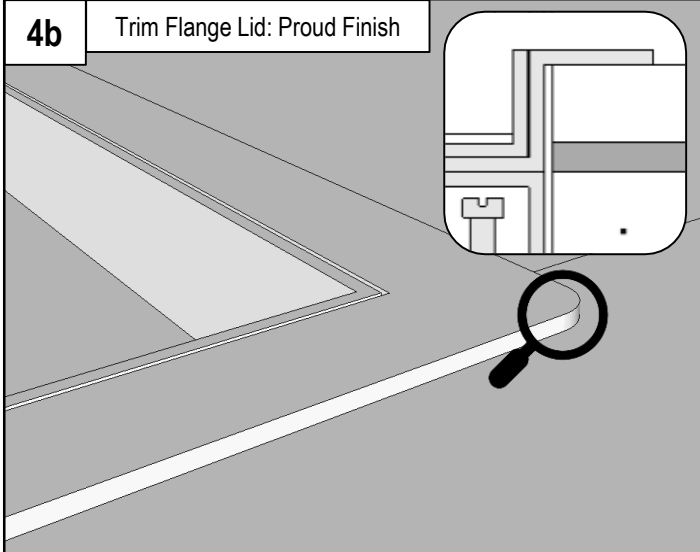
If surrounding finished floor edging is chipped/damaged from cutting out hole to retro fit floor box, you may want to consider a trim flange lid to cover and hide damaged edge & gap. Please see **4b** trim flange lid options as a way to cover the damage.



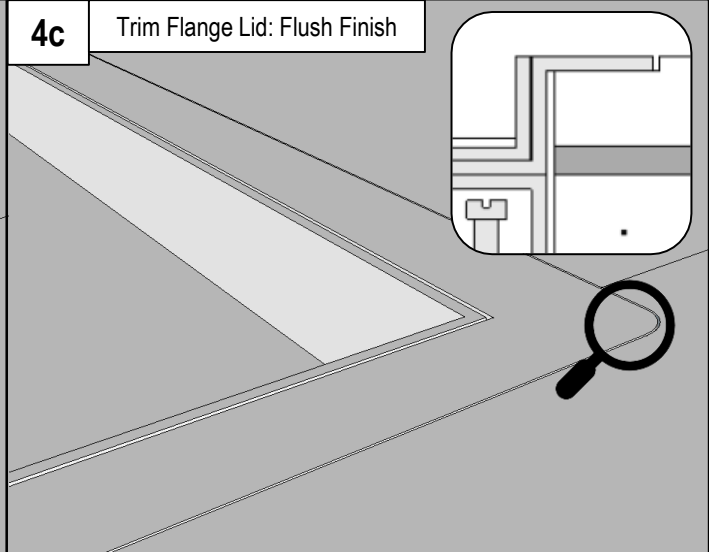
If lid and lid frame is sitting low, readjust upwards & level. You may need to loosen and retighten lock nut.



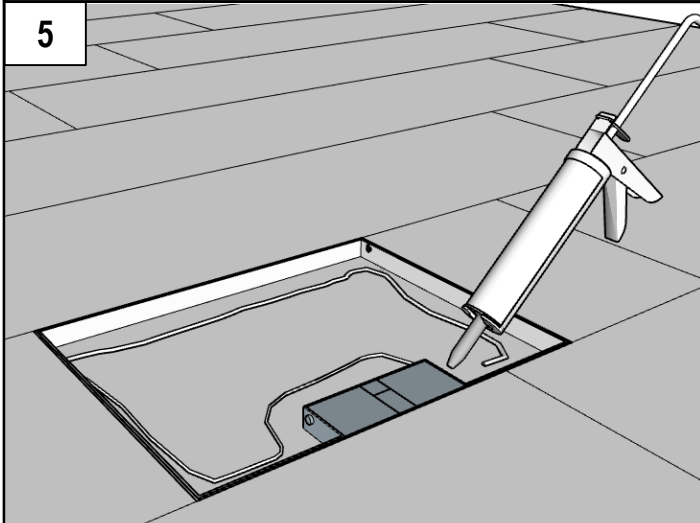
If lid is proud, you may need to set the floor box lower down in your sub floor to ensure lid sits level & flush with floor finish.



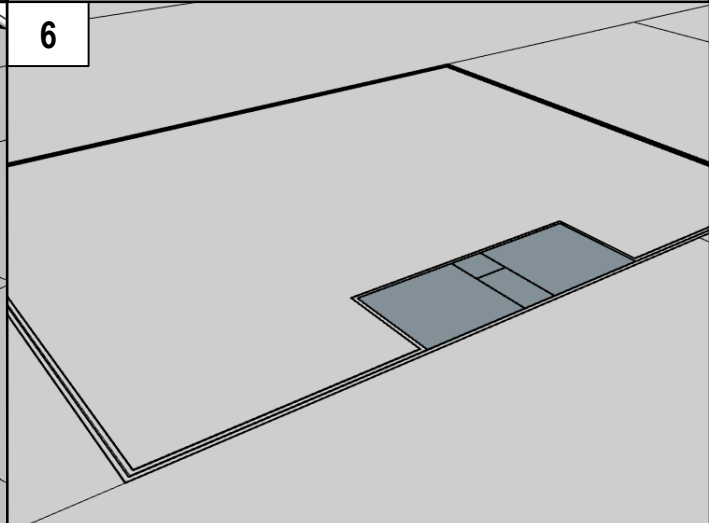
For proud finish: Trim flange lid is 1.5mm proud of surrounding floor finish.



For flush finish: Trim flange lid is rebated 1.5mm into surrounding floor finish.

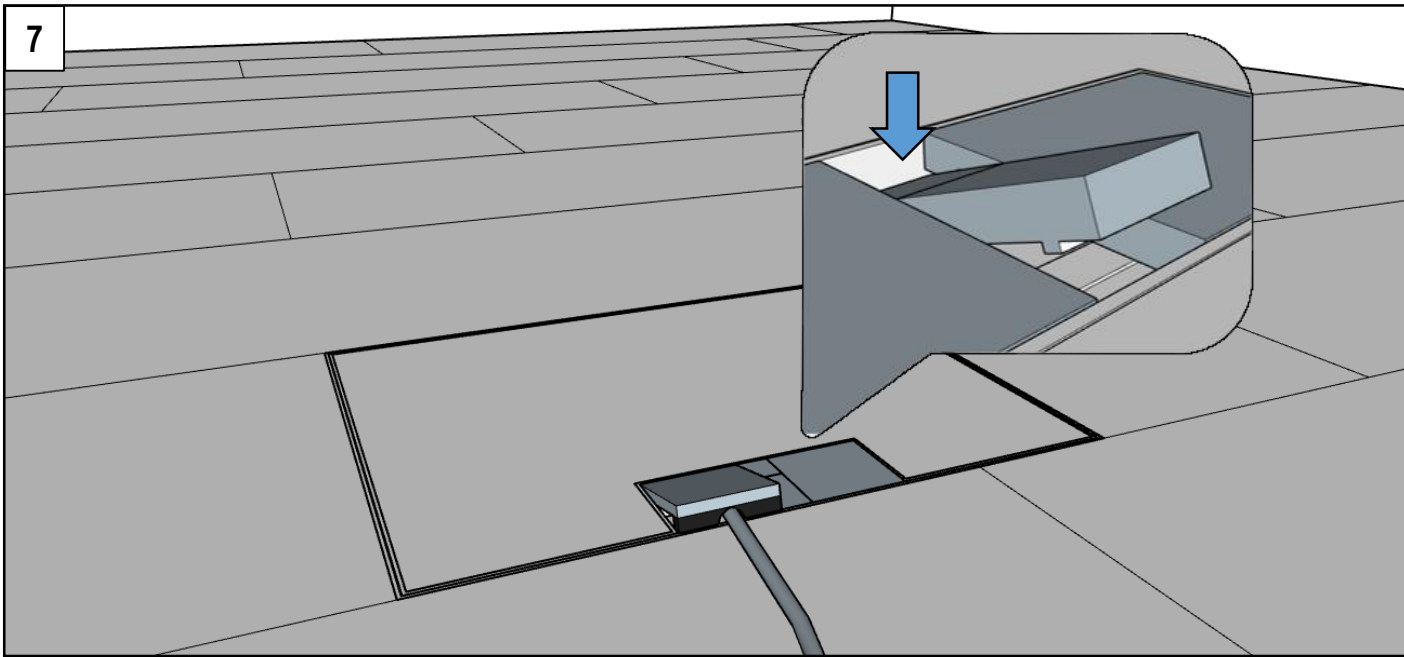


Apply suitable amount of adhesive into recessed lid.



Insert final floor finish into lid, making sure it sits flush with the lid and lid frame trim.

7



Minima Rectangular Retro Fit Floor Box Dimensions

Product Code	Compartments	Base Box Dimensions	Base Box Depth	Frame Dimensions
MIN-M1X ¹ -XX ² -RETRO	1	250x148mm	65 ³ mm, 85mm or 120mm	250x148mm
MIN-M2X ¹ -XX ² -RETRO	2	233x250mm	65 ³ mm, 85mm or 120mm	233x250mm
MIN-M3X ¹ -XX ² -RETRO	3	320x250mm	65 ³ mm, 85mm or 120mm	320x250mm
MIN-M4X ¹ -XX ² -RETRO	4	407x250mm	65 ³ mm, 85mm or 120mm	407x250mm

Minima Square Retro Fit Floor Box Dimensions

Product Code	Compartments	Base Box Dimensions	Base Box Depth	Frame Dimensions
MIN-MSX ¹ -XX ² -RETRO	1*	150x150mm	65 ³ mm, 85mm or 120mm	150x150mm
MIN-MMX ¹ -XX ² -RETRO	2	200x200mm	65 ³ mm, 85mm or 120mm	200x200mm
MIN-M0X ¹ -XX ² -RETRO	3	300x300mm	65 ³ mm, 85mm or 120mm	300x300mm

Minima Round Retro Fit Floor Box Dimensions

Product Code	Compartments	Base Box Dimensions [^]	Base Box Depth	Frame Diameter
MIN-RSX ¹ R-XX ² -RET	1*	121mm across corners Hexagonal Base Box	65 ³ mm, 85mm or 120mm	127mm
MIN-ROX ¹ R-XX ² -RET	2	191mm across corners Hexagonal Base Box	65 ³ mm, 85mm or 120mm	193mm
MIN-RLX ¹ R-XX ² -RET	3	287mm across corners Octagonal Base Box	65 ³ mm, 85mm or 120mm	289mm

700 Series Rectangular Retro Fit Floor Box Dimensions

Product Code	Compartments	Base Box Dimensions	Base Box Depth	Frame Dimensions
SBOX-71X ¹ -XX ² -RETRO	1	250x148mm	65 ³ mm, 85mm or 120mm	250x148mm
SBOX-72X ¹ -XX ² -RETRO	2	233x250mm	65 ³ mm, 85mm or 120mm	233x250mm
SBOX-73X ¹ -XX ² -RETRO	3	320x250mm	65 ³ mm, 85mm or 120mm	320x250mm
SBOX-74X ¹ -XX ² -RETRO	4	407x250mm	65 ³ mm, 85mm or 120mm	407x250mm

700 Series Square Retro Fit Floor Box Dimensions

Product Code	Compartments	Base Box Dimensions	Base Box Depth	Frame Dimensions
SBOX-7SX ¹ -XX ² -RETRO	1*	150x150mm	65 ³ mm, 85mm or 120mm	150x150mm
SBOX-7MX ¹ -XX ² -RETRO	2	200x200mm	65 ³ mm, 85mm or 120mm	200x200mm
SBOX-70X ¹ -XX ² -RETRO	3	300x300mm	65 ³ mm, 85mm or 120mm	300x300mm

700 Series Round Retro Fit Floor Box Dimensions

Product Code	Compartments	Base Box Dimensions [^]	Base Box Depth	Frame Diameter
SBOX-7RSX ¹ R-XX ² -RET	1*	121mm across corners Hexagonal Base Box	65 ³ mm, 85mm or 120mm	127mm
SBOX-7ROX ¹ R-XX ² -RET	2	191mm across corners Hexagonal Base Box	65 ³ mm, 85mm or 120mm	193mm
SBOX-7RLX ¹ R-XX ² -RET	3	287mm across corners Octagonal Base Box	65 ³ mm, 85mm or 120mm	289mm

X¹ There is a choice of three standard base box depths to choose from. Use the following: 6=65mm, 8=85mm & 2=120mm deep base boxes. (i.e M16 = Minima, 1 Compartment with a 65mm base)

XX² Stainless Steel and Brass are standard finishes. Use the following: ST for Stainless Steel or BR for Brass.

³ Minimum overall depth from top of finished floor to bottom is 75mm.

* One single socket size floor box.

[^] All hexagonal and octagonal base boxes fit within the frame diameter dimensions.

Standard Fit Floor Box Install Guide Available.

CONTACT US

 www.cableductuk.com

 www.linkedin.com/cableduct-limited

 @cableduct_

 @Cableduct_uk

 www.pinterest.co.uk/Cableduct_UK

Cableduct Limited

30 Selhurst Road,
South Norwood,
London, SE25 5QF

England, UK

T: +44 (0) 20 8683 1126
F: +44 (0) 20 8689 7896
E: info@cableductuk.com

