

*Standard Finish*



Lid option -  
Stainless steel. Lid  
recess made to suit  
floor covering

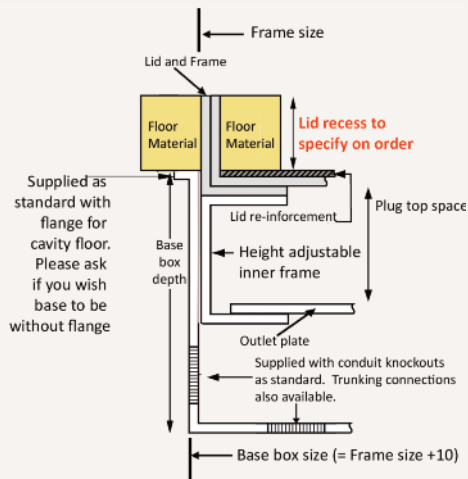
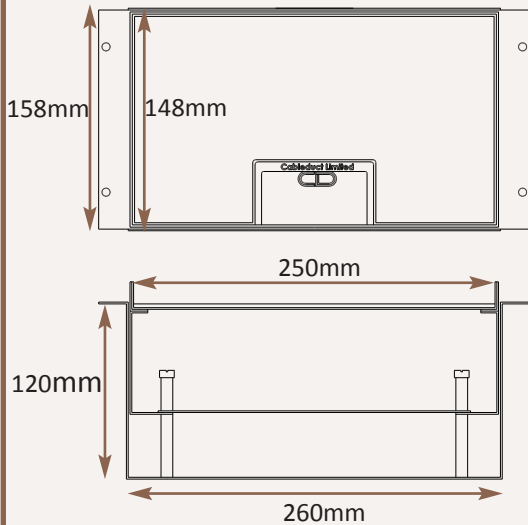
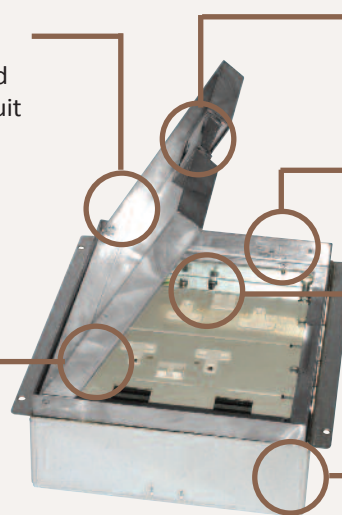
Flap option  
Standard handle and flap  
with name and logo

Frame option  
Standard trimless finish

Inner frame option  
Height adjustable inner frame  
ensures perfect on site levelling.  
70mm overall height gives  
68.5mm plug top space

Base box option  
120mm deep base  
20 & 25mm conduit knockouts

Outlet plate  
options  
Fits 1 standard  
outlet plate.



Frame size 250x148mm  
Base box size 260x158mm  
Lid recess - advise on order to suit floor covering  
Base with 20 & 25mm conduit knockouts in base and sides

*Optional Extras*

- SBOX-700+ST     Extra to supply box in 2mm stainless steel, with 4mm thick infill plate to withstand larger loads
- SBOX-700-IP65     Extra to box that is IP65 rated when not in use (note that the standard version is not suitable for wet washing)
- SBOX-700-FL-MIR     Extra to supply lid with a mirror polished outlet flap
- SBOX-700-LOCK     Extra to supply lid and frame with a cam lock
- SBOX-700-FLTLID     Extra to a flat instead of recessed lid
- SBOX-MIRROR     Extra to supply lid with a mirror polished flap and a Mirror polished frame (usually required only on a trim frame)
- SBOX-700-MOUS     Mousehole openings to be used
- SB74RETRO     Retro stlye base box fitting entirely within frame

