

*Standard Finish with optional trim flange*



Lid option -  
Stainless steel. Lid  
recess made to suit  
floor covering

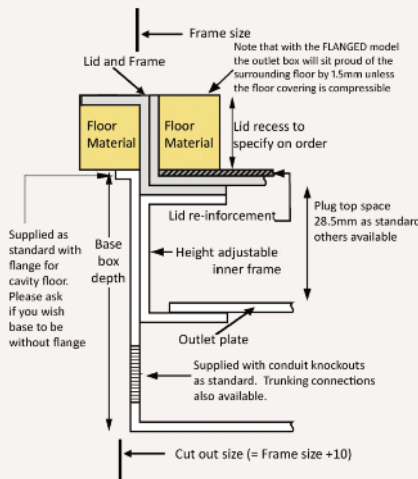
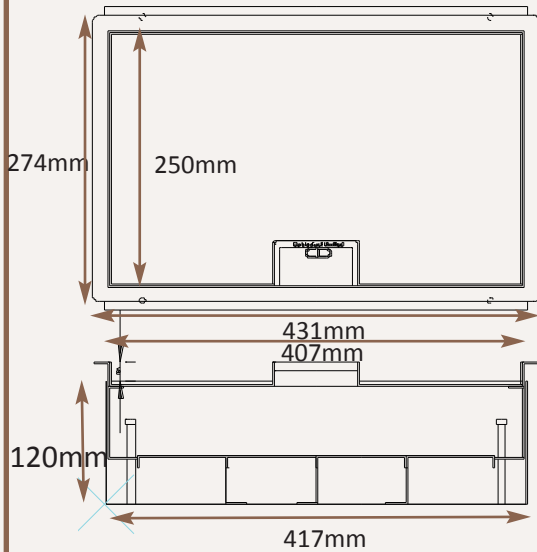
Flap option  
Standard handle and flap  
with name and logo

Frame option  
With optional trim flange

Inner frame option  
Height adjustable inner frame  
ensures perfect on site levelling.  
70mm overall height gives  
68.5mm plug top space

Outlet plate  
options  
Fits 4 standard  
outlet plates.

Base box option  
120mm deep base  
20 & 25mm conduit knockouts



Frame size 407x250mm (with 12mm visible trim flange)  
Base box size 417x260mm  
Lid recess - advise on order to suit floor covering  
Base with 20 & 25mm conduit knockouts in base and sides

*Optional Extras*

- SBOX-700+ST Extra to supply box in 2mm stainless steel, with 4mm thick infill plate to withstand larger loads
- SBOX-700-IP65 Extra to box that is IP65 rated when not in use (note that the standard version is not suitable for wet washing)
- SBOX-700-FL-MIR Extra to supply lid with a mirror polished outlet flap
- SBOX-700-LOCK Extra to supply lid and frame with a cam lock
- SBOX-700-FTLID Extra to a flat instead of recessed lid
- SBOX-MIRROR Extra to supply lid with a mirror polished flap and a Mirror polished frame (usually required only on a trim frame)
- SBOX-700-MOUS Mousehole openings to be used
- SB74RETRO Retro stlye base box fitting entirely within frame

