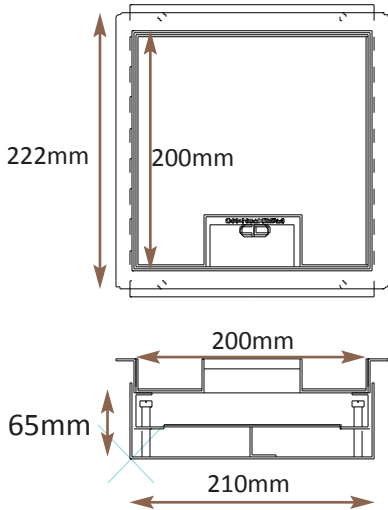
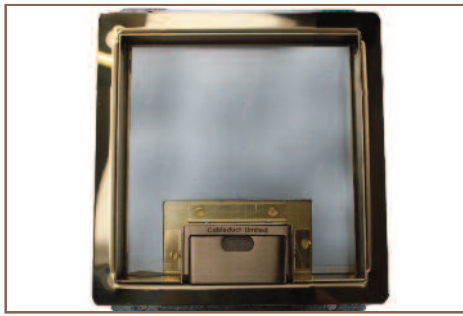
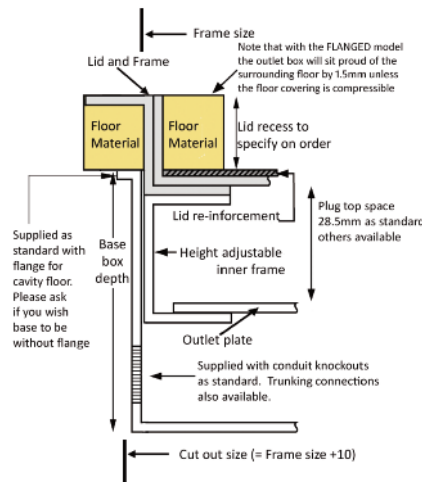
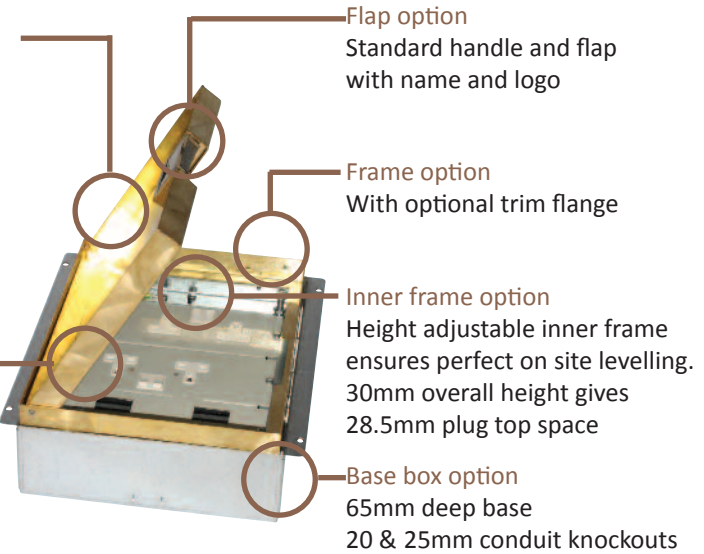


*Standard Finish with optional trim flange*



Lid option - Brass. Lid recess made to suit floor covering

Outlet plate options Fits 2 ref 7R0 outlet plates



Frame size 200x200mm with 12.5mm visible trim flange  
Base box size 210x210mm  
Lid recess - advise on order to suit floor covering  
Base with 20 & 25mm conduit knockouts in base and sides

**Optional Extras**

- SBOX-700+BR Extra to supply box in 2mm brass, with 4mm thick infill plate to withstand larger loads
- SBOX-700-MOUSE Extra to supply a cable exit "Mousehole" opening
- SBOX-700-FTLID Extra to a flat instead of recessed lid
- SBOX-700-LOCK Extra to supply lid and frame with a cam lock
- SBOX-700-BRONZE Extra to a supply with Antique Bronze coating
- SBOX-700-BR-AB Extra to a supply with Antique Brass coating
- SBOX-700-BR-JB Extra to a supply with Jordan Bronze coating
- SB7MRETRO Retro style base box fitting entirely within frame

