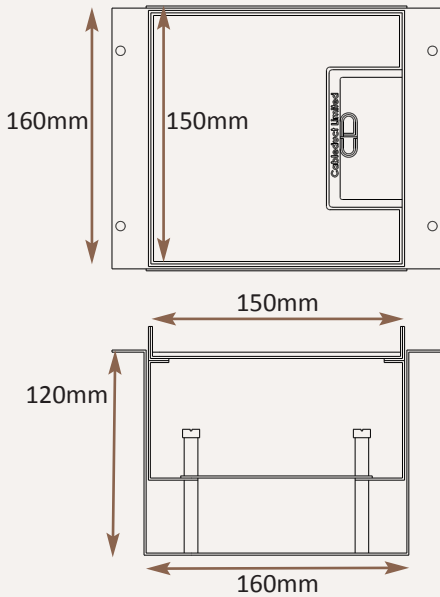
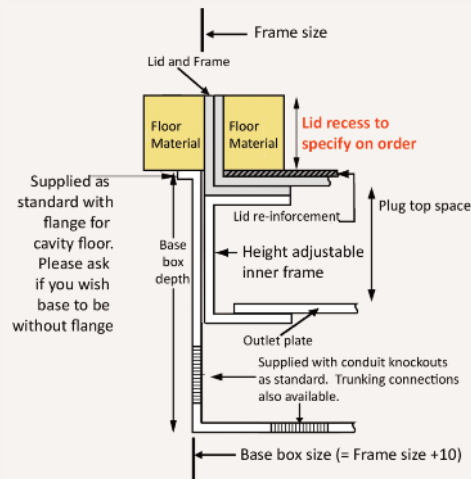
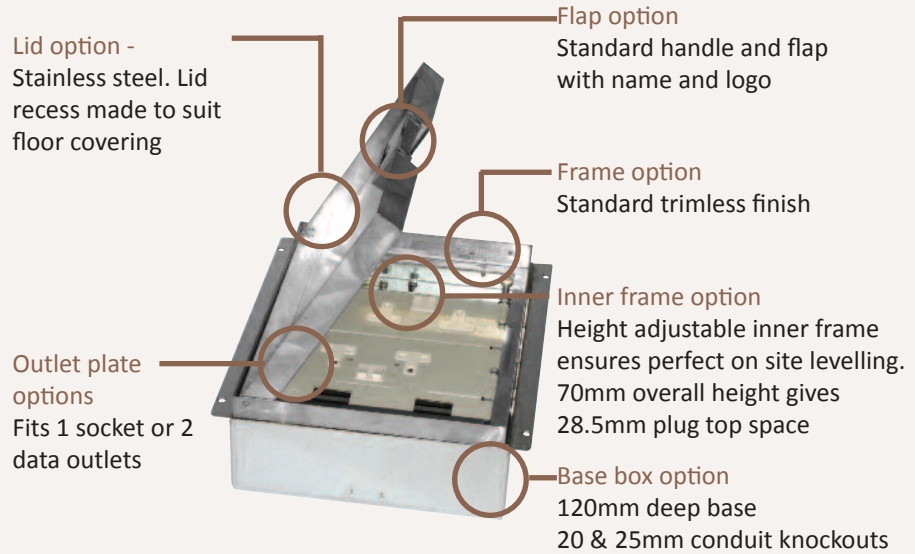


*Standard Finish*



Frame size 150x150mm  
 Base box size 160x160mm  
 Lid recess - advise on order to suit floor covering  
 Base with 20 & 25mm conduit knockouts in base and sides



*Optional Extras*

- SBOX-700+ST: Extra to supply box in 2mm stainless steel, with 4mm thick infill plate to withstand larger loads
- SBOX-700-IP65: Extra to box that is IP65 rated when not in use (not available in this size)
- SBOX-700-FL-MIR: Extra to supply lid with a mirror polished outlet flap
- SBOX-700-LOCK: Extra to supply lid and frame with a cam lock
- SBOX-700-FLTLID: Extra to a flat instead of recessed lid
- SBOX-MIRROR: Extra to supply lid with a mirror polished flap and a Mirror polished frame (usually required only on a trim frame)
- SBOX-700-MOUS: Mousehole openings to be used
- SB7SRETRO: Retro stlye base box fitting entirely within frame

