



Although we stock a range of standard profiles for dado and skirting trunking, we can supply any profile, to any size, to any finish, with short lead times. We can also supply new lids to fit existing bodies for refurbishment work.

We can supply the lid in many finishes: white, self colour (zintec), galvanised steel, powder coated, stainless steel and brass are common finishes. A full range of accessories are available to speed up site installation.

Standard profiles all have cover strap fixings, allowing on site cuts to be made and covered easily.

Alternatively a screw fixed or turnbuckle lid can be supplied

Top and bottom profiles can be: square

bevelled

Ref 72 back boxes can be provided giving segregation between power and data

Any lid finish available:

- Zintec - self colour steel for painting on site
- White - manufactured from white coated steel with a galvanised substrate
- Galvanised steel
- Powder coated - to any RAL number
- Stainless Steel
- Brass

Most ranges are available either: skirting profile (no bottom return)

or dado profile (lid has full depth bottom return)

New lids and outlet plates can be made to suit any existing trunking bodies for refurbishment work. All lids can be moved into any position, allowing service outlet plates to be placed wherever needed.



The ranges shown below are typically ex-stock for the bodies, lids are made to order. Please specify lid finish when ordering:

- white (W)
- galvanised steel (G)
- powder coated (P)
- stainless steel (ST) or brass (BR)

Any profile can be made to any size, please specify:

- skirting or dado; height and depth of trunking; number of compartments
- square or chamfered top and bottom



Partitions in the trunking have conduit knockouts† at 200mm centres to enable simple positioning of outlet plates at any time.

Number of Compartments	Size	Body Reference	Body Profile	Lid Type	Lid Reference	Lid Profile	
2	150x40 (compartments 40/110)	J2		Skirting	H2		
				Dado	J2		
3	150x50 (compartments 37.5/75/37.5)	DD3		Skirting	H3		
				Dado	DD3		
2	200x40 (compartments 100/100)	J3		Dado	J3		
3	200x40 (compartments 50/100/50) Chamfered Top	KD2		Skirting	K2		
				Dado	KD2		
3	200x50 (compartments 50/100/50)	DD4		Skirting	H4		
				Dado	DD4		
3	200x50 (compartments 50/100/50)	KK4		Dado	KK4		
2	100x100	V1		Bench	V1		



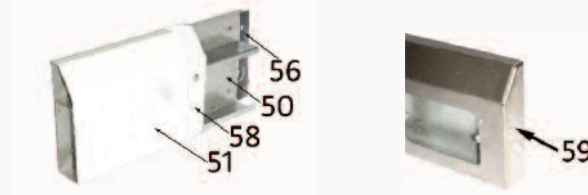
- Simple to install trunking, each item coming with all necessary fixings included free of charge.
- Rapid installation: threaded connectors so no need for nuts
- Conduit knockout† at 200mm centres ensure easy positioning of outlets at any location
- An extensive range of standard accessories to eliminate on site fabrication

A range of standard accessories is shown below. Other items such as odd angles and column sets can be made to site specification. Please speak to our experienced sales team.

To order, simply take the RANGE reference, followed by the PART reference. Note that bodies and lids are ordered separately, and lids must be suffixed by the lid finish. For example J3-50 for a 2m length of j3 body, and J3-54-W for a 2 gang outlet plate to suit J3, white finish.

Part references for general trunking layout

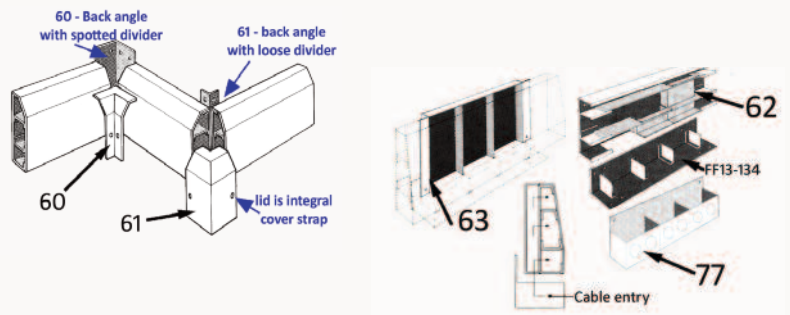
Body:	Lid:	
50	n/a	2m length (body)
n/a	51	2m length (lid)
n/a	59	End cap



Part references for bends:

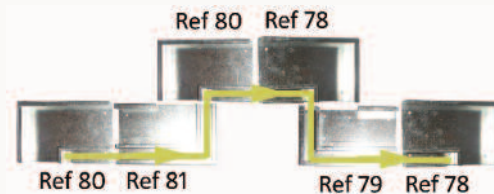
internal and external bends

60B	60L	Internal bend
61B	61L	External Bend
62	n/a	Base entry
63	n/a	Back entry



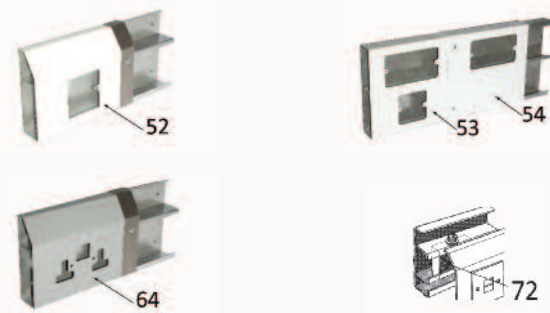
flat bends

78B	78L	Right hand (down)
79B	79L	Right hand (up)
80B	80L	Left hand (down)
81B	81L	Left hand (up)



Part references for outlets

n/a	52	One gang outlet
n/a	53††	One & Two gang outlet
n/a	54	Two gang outlet
n/a	64	Panel mounted socket
72†	n/a	Outlet screening saddle



Part references of additional fixings if required

56	n/a	Body fixing plate
n/a	57	Lid fixing - back strap
n/a	58	Lid fixing - cover strap
C41	n/a	Copper earth strap



† Except J3

†† J3 only

