

Lid, Trim and final floor covering



Final floor covering in lid recess makes floor box nearly invisible

- Final floor finish up to 30mm thick (including adhesive layer) can fit into the lid recess
- Lid recess is tailor-made to your exact requirements
- You tell us how deep you need the recess to suit your final floor covering plus adhesive
- Trimless as standard, with trim flange available as an option

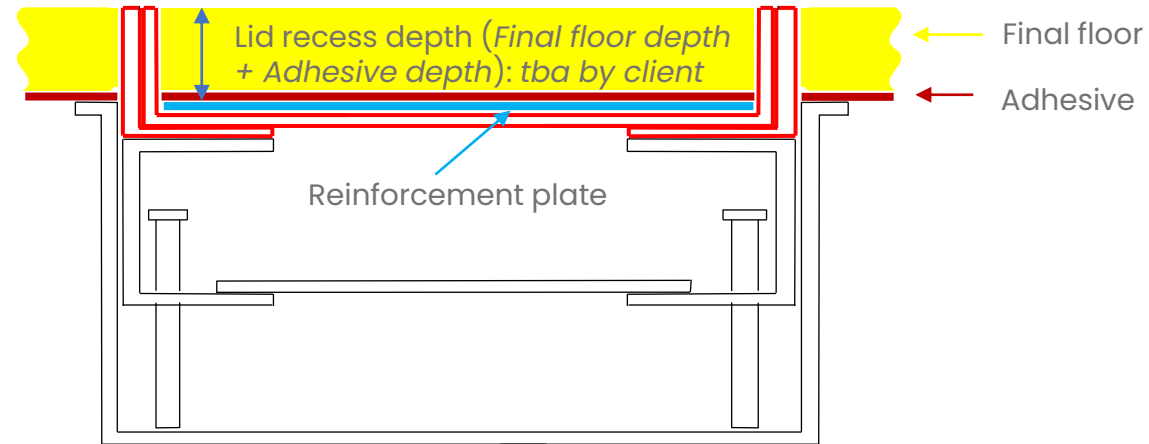
Typical final floor finishes/coverings

- Carpet
- Carpet tiles
- Vinyl/Vinyl tiles
- Timber/Engineered wood
- Porcelain/Stone tiles
- Poured finish – Screed, Concrete, Terrazzo, Resin

Poured floor finish requires adapted lid and retrofit assembly

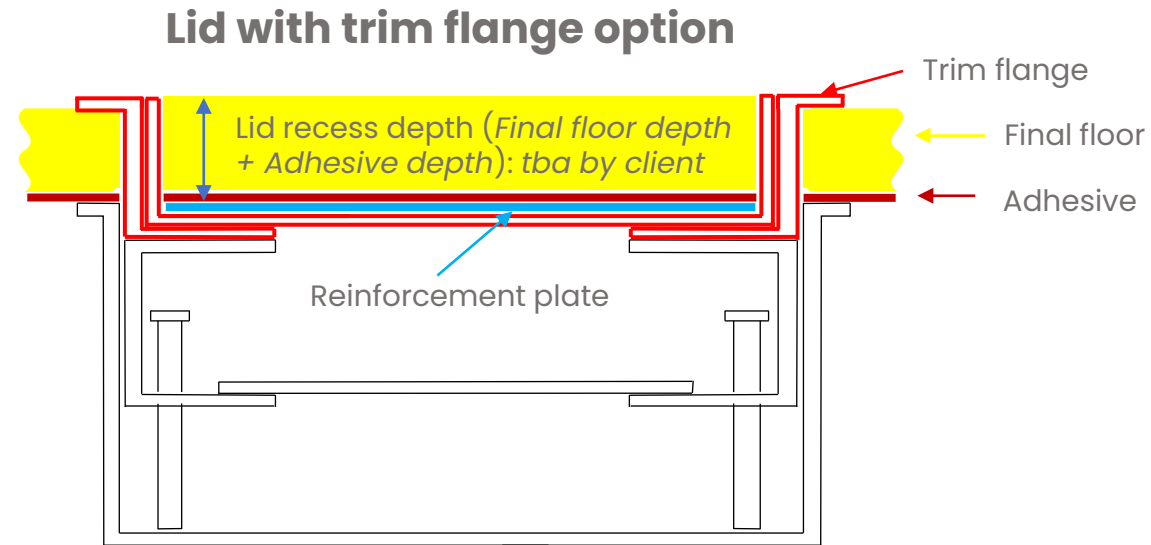
Fit your final floor finish/covering into the **standard floor box lid recess**

Standard assembly with trimless lid



- **Hinged lid with recess** fits inside the lid frame. Trim can have flange as an option
- **Almost any final floor finish/covering up to 30mm** thick can fit into the lid recess
- **Lid recess is tailor-made to your exact requirements** and you need to tell us how deep you need the recess to suit your final floor covering
- **Recess depth** is worked out by adding together the thickness of both the final floor covering and the adhesive layer (*typically 1-4mm*)
- **Lid has reinforcement plate** for robustness

Trim flange option also available for your lid



- **Trim flange available** as an option
- **Flange sits proud of the finished floor covering** and is not load-bearing
- Useful for covering over the edge of the final floor finish, i.e. carpet, or allows for expansion of timber

Typical final floor finishes/coverings (*thickness range* mm*)

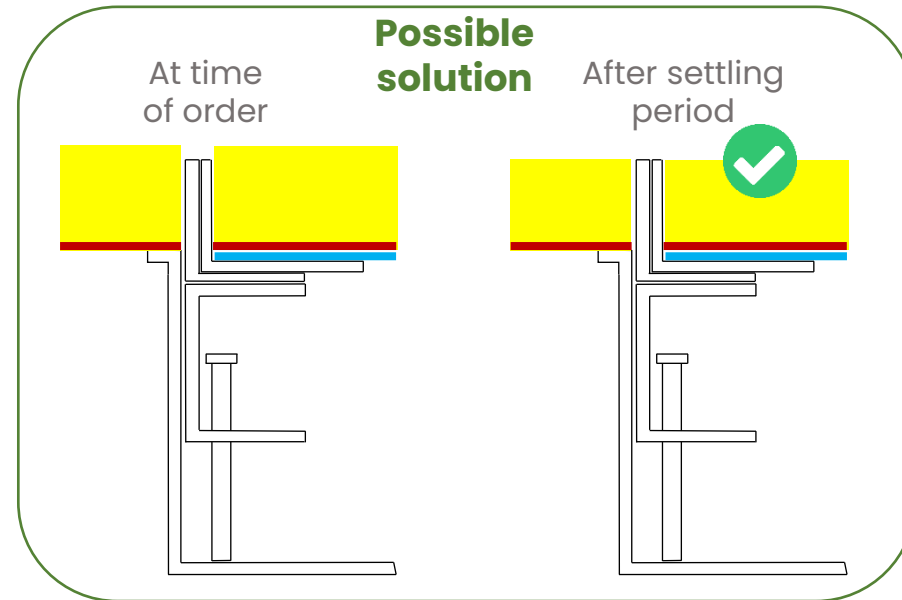
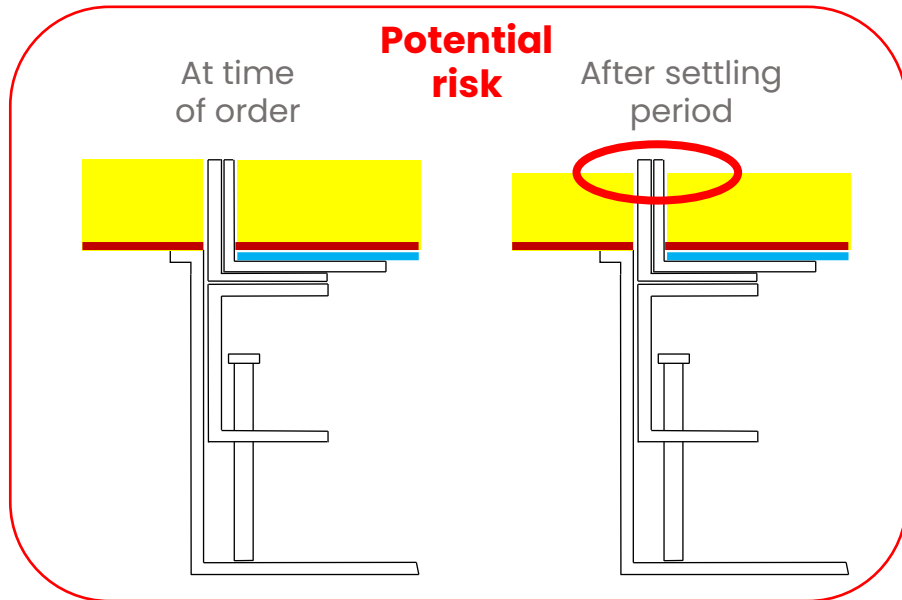


- Carpet
- Carpet tile
(6mm - 12mm)



*Thickness range does not include adhesive thickness

Carpet may compress after settling period...



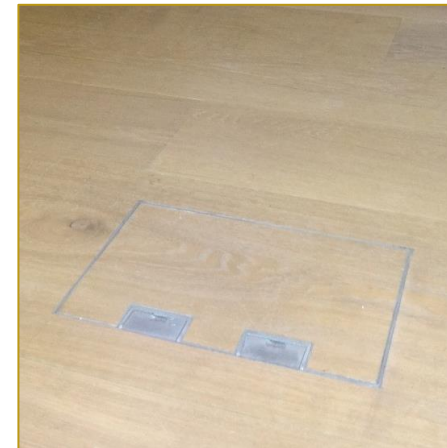
Typical final floor finishes/coverings (*thickness range* mm*)



Vinyl/Vinyl tile
(3mm - 6mm)



Timber/Engineered wood
(7mm - 22mm)



*Thickness range does not include adhesive thickness

Typical final floor finishes/coverings (*thickness range* mm*)



Porcelain/Stone tiles
(*9mm - 25mm*)



**Poured finish –
Polished screed, Concrete,
Terrazzo, Resin**
(*Varies depending on application*)

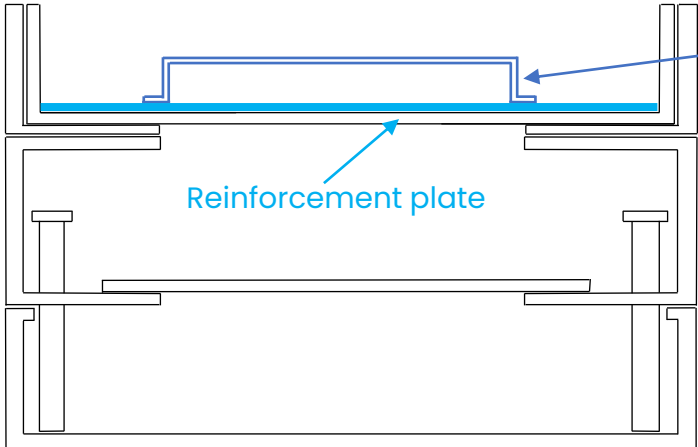


*Thickness range does not include adhesive thickness

...See next slide for how our lids are adapted to take poured finishes...

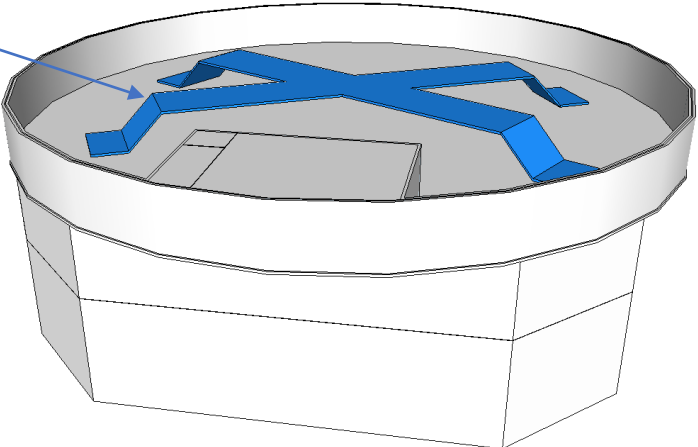
Poured floor finishes/coverings require adapted lid recess and retrofit assembly

Retrofit assembly with trimless lid

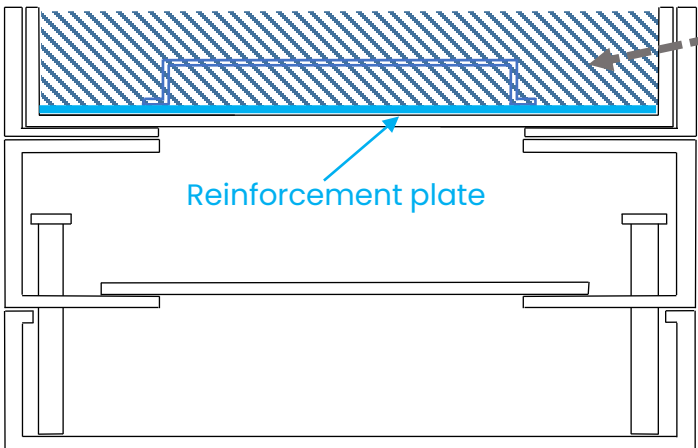


Adhesion handle

Reinforcement plate

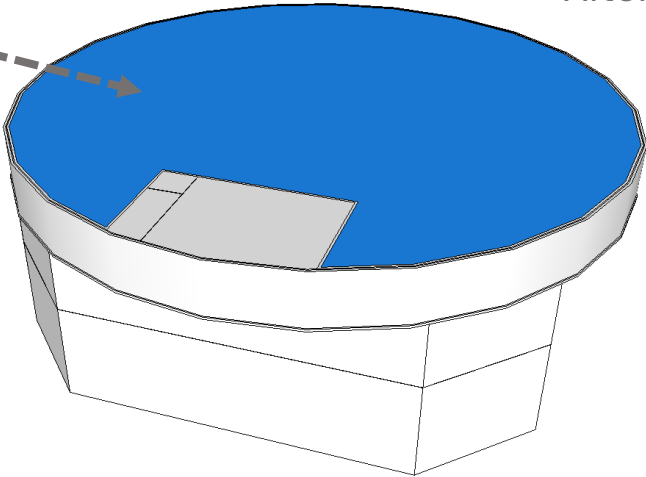


Before pouring



Reinforcement plate

Poured finish



After pouring