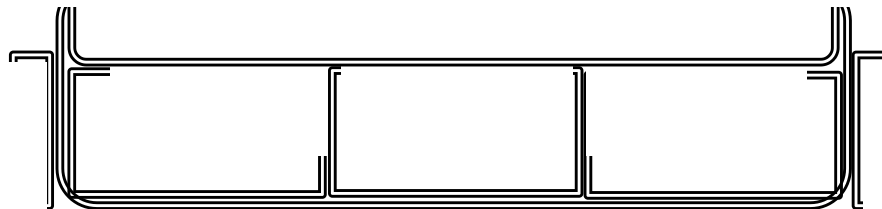




Installation and fixings guide

Flush Floor trunking





Installing flush floor trunking system

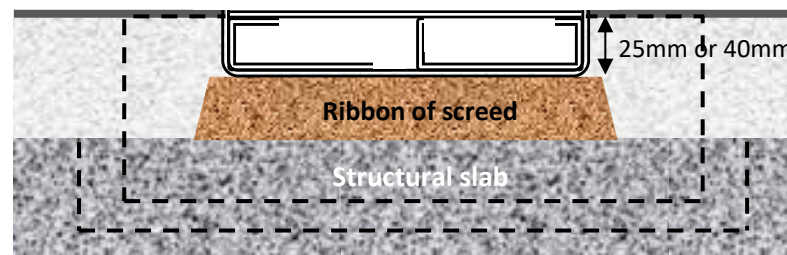
Installing *shallow* trunking of <55mm (FF4)

Plan space for the trunking run. Trunking connectors are fixed through the base.

Lay a flat ribbon of screed on to which you lay the complete trunking run. Failure to support the trunking evenly may lead to the lid flexing when in use.

Fit lids before screed is poured to prevent distortion of side walls.

Floor slab may need to be cut out if floor boxes are to be fitted





Installing **deep** trunking of >55mm

Cut out space for the trunking run. Requires sufficient space to access the sides of the trunking for side-fixing.

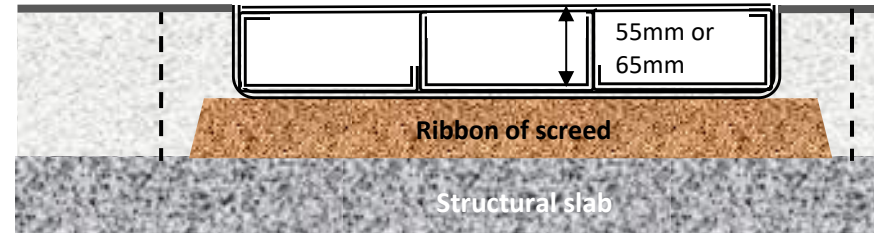
Lay a flat ribbon of screed on to which you lay the complete trunking run. Failure to support the trunking evenly may lead to the lid flexing when in use.

Fit lids before screed is poured to prevent distortion of side walls.

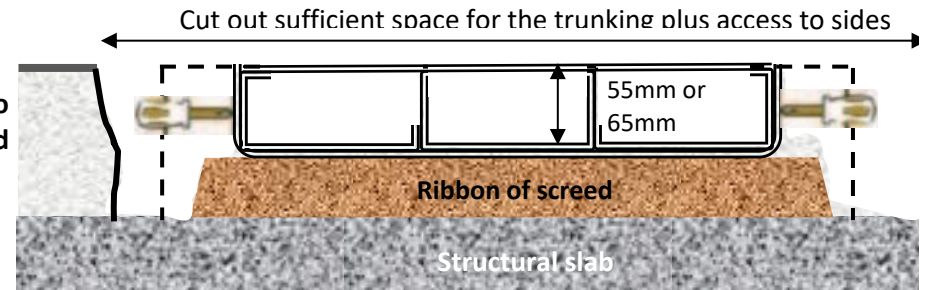
Installation of deep trunking

Note: floor boxes will fit within the trunking at any point in the trunking run

New installation



Installation into existing screed





Install each length of trunking using the supplied body connectors

Deep trunking >55mm / FF12-FF15

Supplied by Cableduct:

- 1x pair of side connectors (C390 x2)
- 4x M5*10mm screws
- 4x M5 nuts
- 4x M5 washers



Shallow trunking <55mm / FF4

Supplied by Cableduct:

- 1x single base connector
- 4x M5*6mm screws PLUS
4x M5 washers

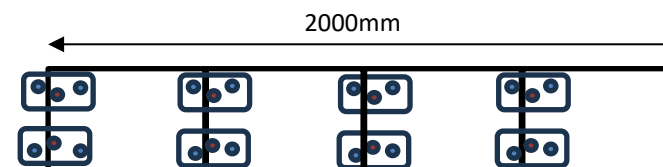


Fit lids

Once wiring is complete, the 500mm long lids are attached using the supplied lid fixings and body connectors, x2 supplied per length of lid. Top-fixed with the central hole toward the centre of the trunking.

Supplied by Cableduct:

- 4x 500mm lids of width to suit trunking
- 8 x lid fixings
- 16 x M5 x 12 countersunk screws for lid fixings
- 4 x CHANNELS (60mm for FF13, 50mm high for FF12)



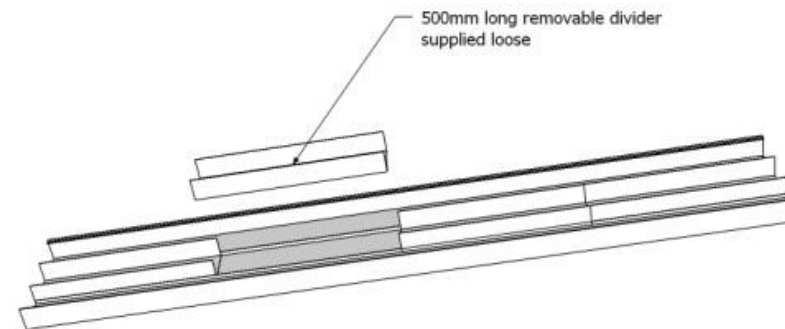


Fit dividers

Dividers (500mm long) are supplied loose, x4 per 2m length, for trunking >55mm deep, which is compatible with our floor boxes and allows floor box location to be changed at any time.

Dividers are fixed for trunking <55mm (FF4).

Dividers provide segregation and *required lid support*.



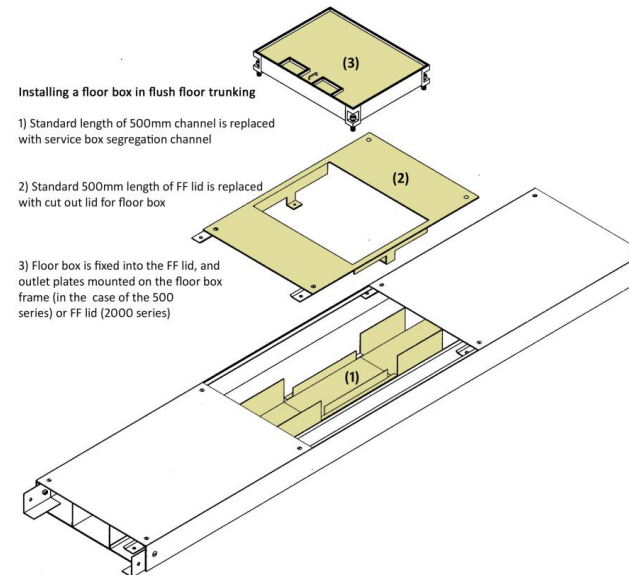
Install floor box within trunking >55mm

To install a floor box within trunking >55mm, remove a 500mm length of lid and channel. Replace with the floor box segregation channel and lid and then install floor box:

- (1) 1x floor box segregation channel to suit floor box range and trunking depth
 - 2x short channels to fit either side of segregation channel to suit box range and trunking depth
- (2) 1x trunking lid punched to suit service box
- (3) 1x floor box lid and lid-frame

All supplied with:

- 2 x M5 screws – 30mm for FF13 or 20mm for FF12 to fix frame to lid
- 2 x lid fixings
- 4 x M5 x 12 countersunk screws for lid fixings



Install floor box within trunking <55mm

When installing floor boxes with trunking of less than 55mm depth, the floor boxes must be located prior to laying the trunking. Integration with trunking via spigot



Product details (ref.)

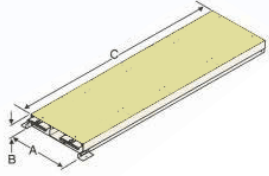
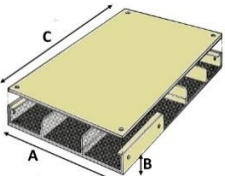
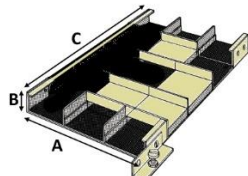
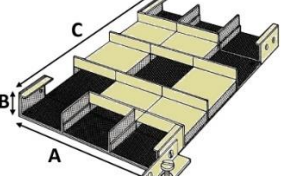
Type		Depth - B (mm)	Width - A (mm) <i>(including 2x 1.5mm thickness of galvanised steel)</i>	Length - C (mm)	# Compartments	Floor box integration
				130		
FF4		25	153	2000	2	All floor boxes via spigot
FF4		40	153		2	
FF12		55	333		3	2000 and 500 - within trunking run




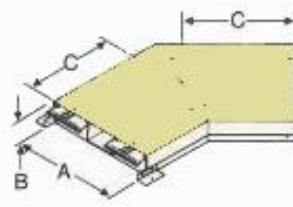
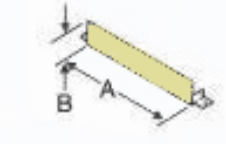
Product details (ref.)

Type		Depth - B (mm)	Width - A (mm) <i>(including 2x 1.5mm thickness of galvanised steel)</i>	Length - C (mm)	# Compartments	Floor box integration
FF13		65	333	2000	3	2000 and 500 - within trunking run
FF14 (recessed lid - 6mm)		71	333		3	
FF15		65	443		4	500 - within trunking run



Product accessories (ref.)				
Product type	Length - C (mm)	Flat bend	Tee	Cross
	130	131	132	133
	Length (C) (mm)			
				
FF4	2000	251	350	350
FF4		251	350	350
FF12		500	500	500
FF13		500	500	500
FF14 (recessed lid - 6mm)		500	500	500
FF15		540	644	644



Product accessories (ref.)			
Product type	Vertical bend	45 degree bend	End cap
	134	144	138
	Length (C) (mm)		
			
FF4	25	160	N/A
FF4	25	160	
FF12	55	250	
FF13	65	250	
FF14 (recessed lid - 6mm)	71	250	



30 Selhurst Road
 London SE25 5QF
 020 8683 1126
 sales@cableductuk.com
www.cableductuk.com