

INSTALLATION MANUAL

RETRO FIT

Minima & 700 Series

Rectangular, Square & Round

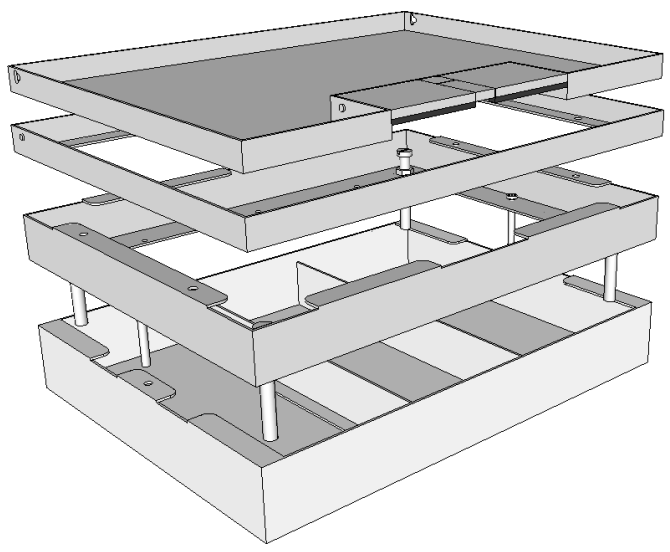
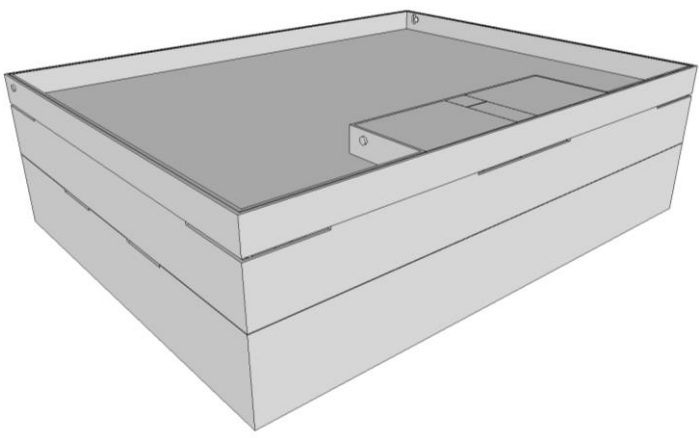
INSTALLATION MANUAL

Retro Fit – Minima & 700 Series

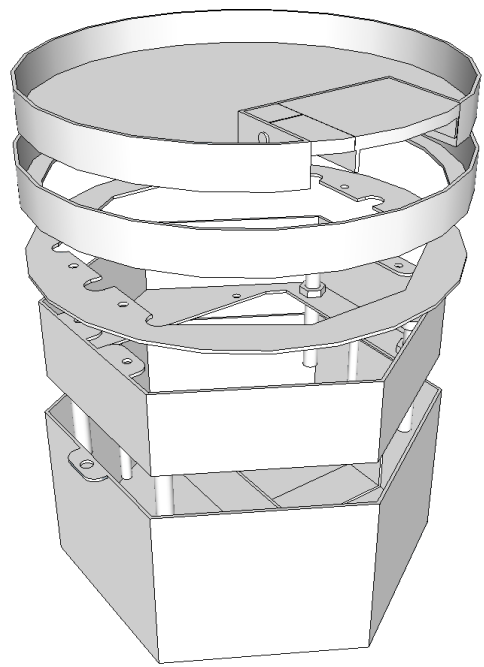
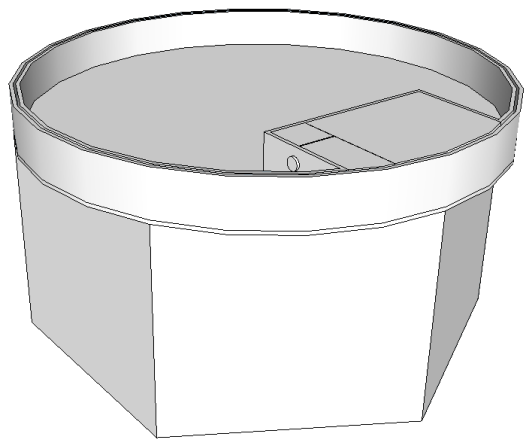


FLOOR BOX INSTALLATION STEPS

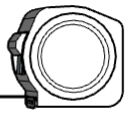
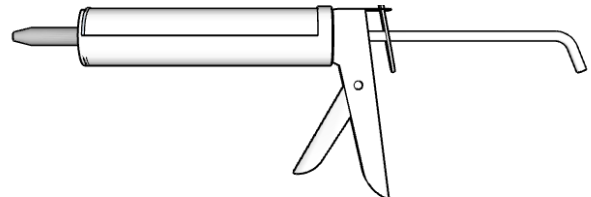
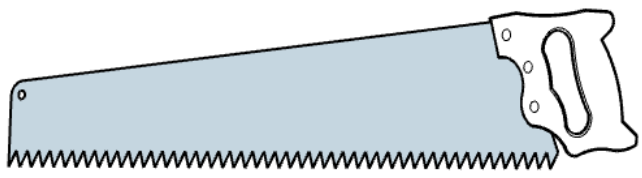
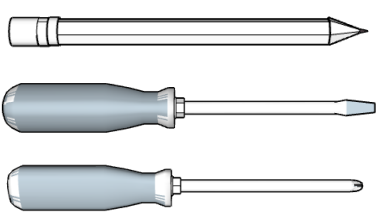
RETRO FIT BASE BOX: Rectangular/Square



RETRO FIT BASE BOX: Round



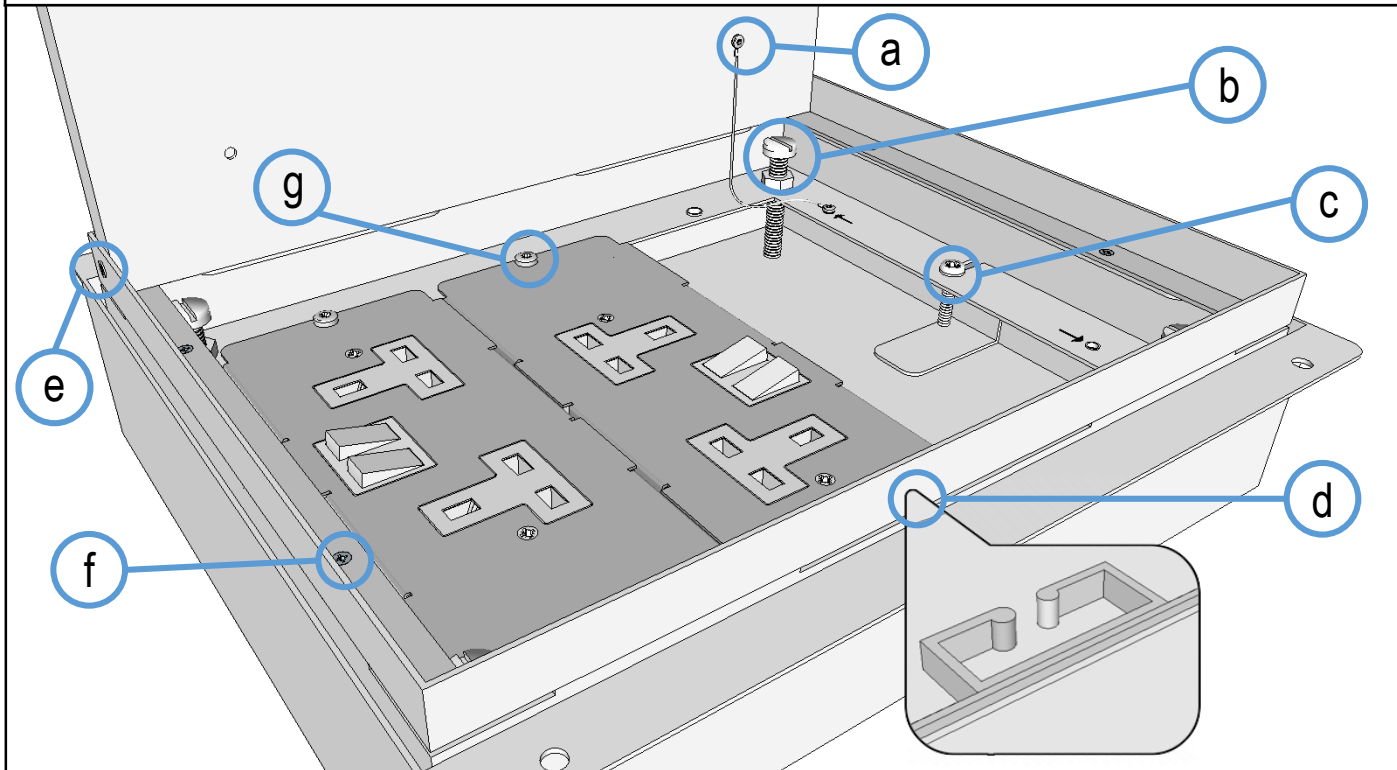
TOOLS NEEDED:



INSTALLATION MANUAL

Retro Fit – Minima & 700 Series

SMALL PARTS BREAK DOWN LIST



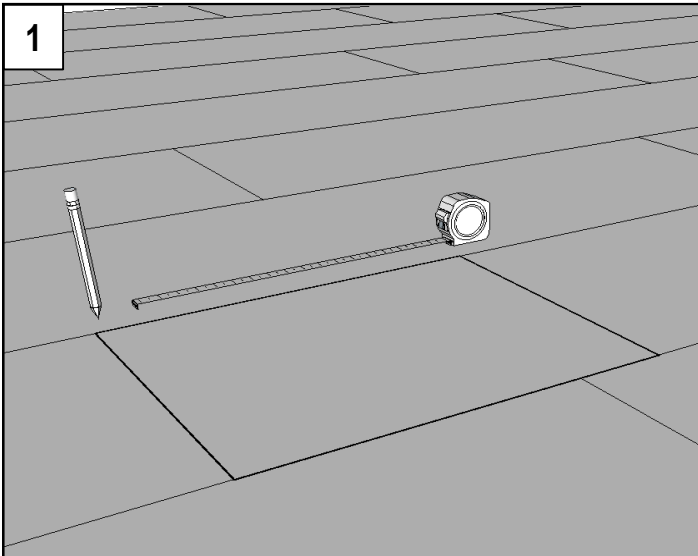
| Ref | Item Description | Product Code | Quantity |
|-----|---|--|--|
| a | Earth Cable, Earth Screws & Washers | Earth Cable: EARTHWIRE-175mm Earth Screws: M5x4-PH Washers: WASHER-M5x2BA | Earth Cable: 2x Earth Screws: 4x Washers: 4x Per Floor Box |
| b | Height Adjustment Bolts & Lock Nuts | 65mm Base: M8x45-CH 85mm Base: M8x65-CH 120mm Base: M8x80-CH Lock Nut: NUT-M8 | Adjustment Bolts: 4x Lock Nuts: 4x Per Floor Box |
| c | Base & Frame Fixing Screw | 65mm Base: M5x20-POZI 85mm Base: M5x40-POZI 120mm Base: M5x40-POZI | 2x Per Floor Box |
| d | Cable Guide | 500-CABLE-GUIDE | 1 & 2 Compartment Floor Boxes: 1x 3 & 4 Compartment Floor Boxes: 2x |
| e | Lid Hinge Screws | M5x4-FLAT | 2x Per Floor Box |
| f | Counter Sunk Lid to Frame Fixing Screws | M5x10-CS16 | 4x Per Floor Box |
| g | Outlet Plate Fixing Screws | M5x6-PH | 2x Per Outlet Plate |

Supplied Fitted & Fixed

Supplied Bagged

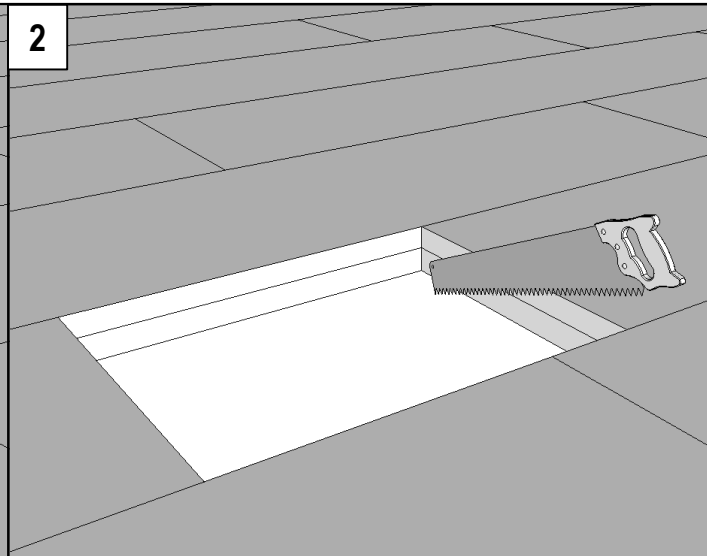
INSTALLATION MANUAL

Retro Fit – Minima & 700 Series




1

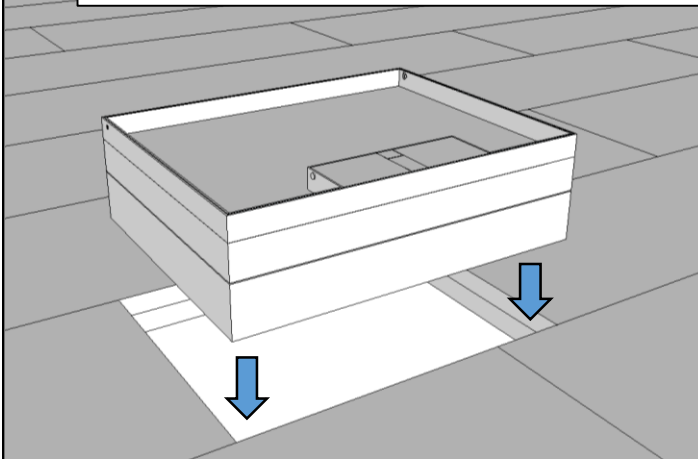
Measure out floor box dimensions in finished floor.
(Please refer to table on page 7 of manual for dimensions)




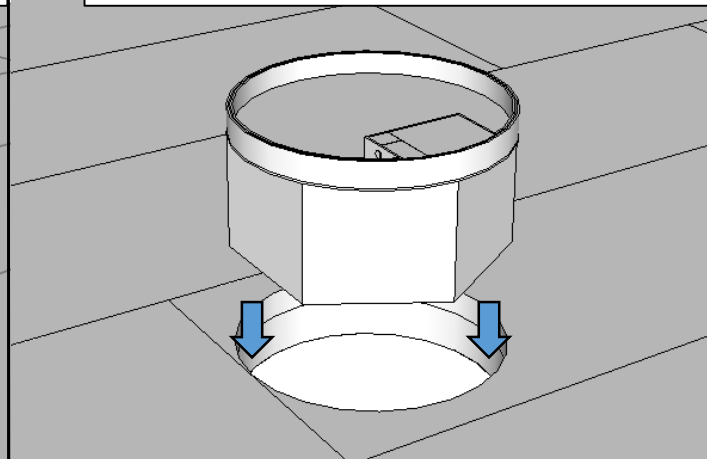
2

Cut/core out hole in floor finish to be able to fit floor box in.
Alternatively if you have used void formers, remove from screed.

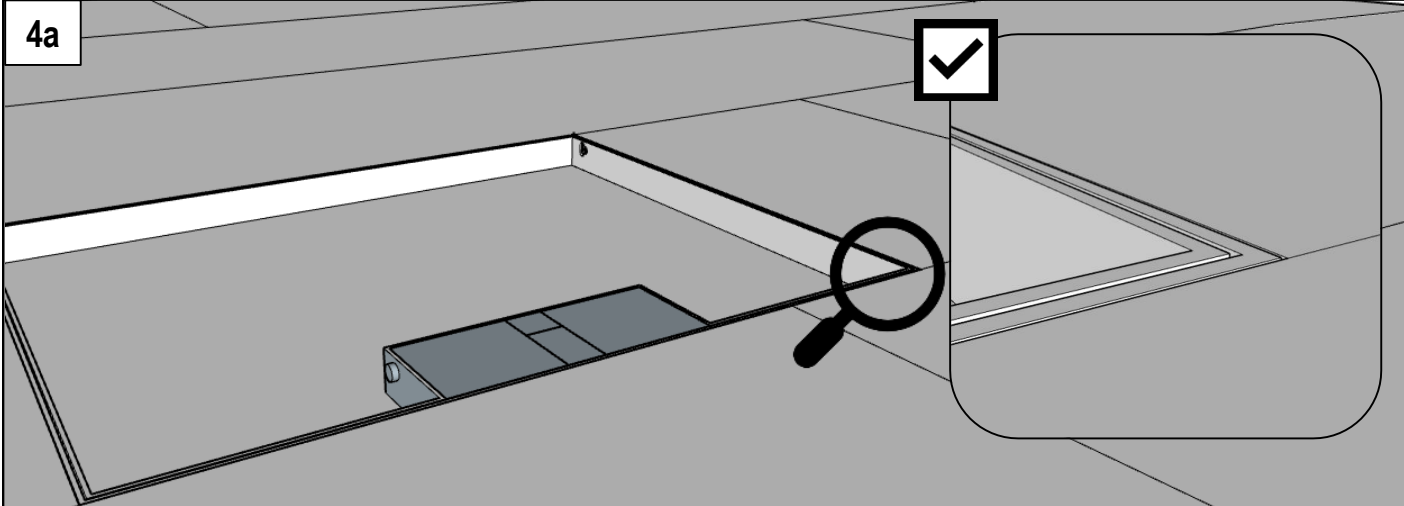
3a  PLEASE USE SUITABLE FIXINGS TO SAFELY SECURE YOUR FLOOR BOX INTO SUB FLOOR.



3b  PLEASE USE SUITABLE FIXINGS TO SAFELY SECURE YOUR FLOOR BOX INTO SUB FLOOR.



Lower & fit floor box into hole. You will need to consider how the floor box is fixed and supported in floor. Support batons or plinths may be needed in the sub floor as load bearing support aides. Securely fix floor box into sub floor.



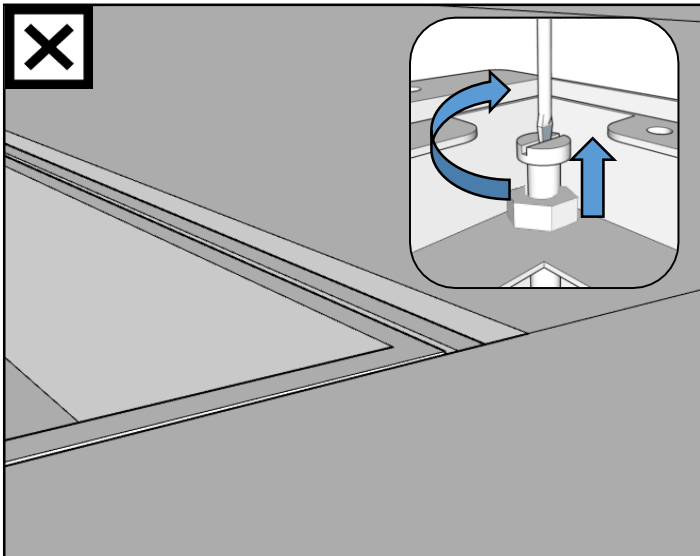
4a

The trim edge of your floor box lid and lid frame should be flush with final floor..

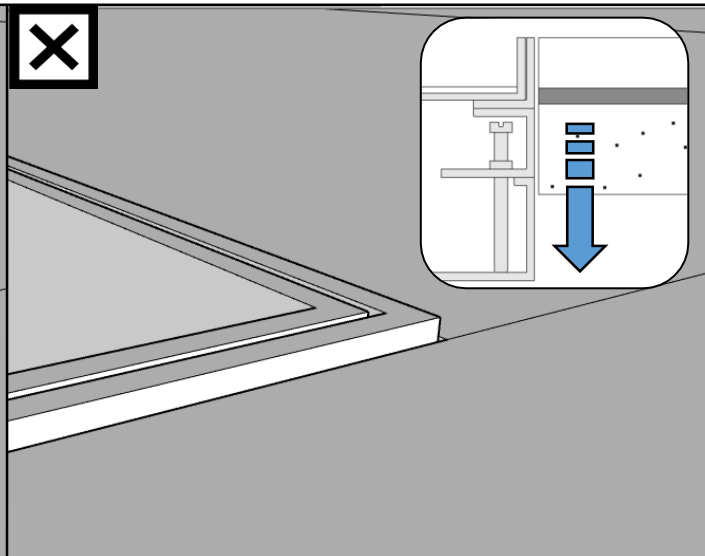
If surrounding finished floor edging is chipped/damaged from cutting out hole to retro fit floor box, you may want to consider a trim flange lid to cover and hide damaged edge & gap. Please see **4b** trim flange lid options as a way to cover the damage.

INSTALLATION MANUAL

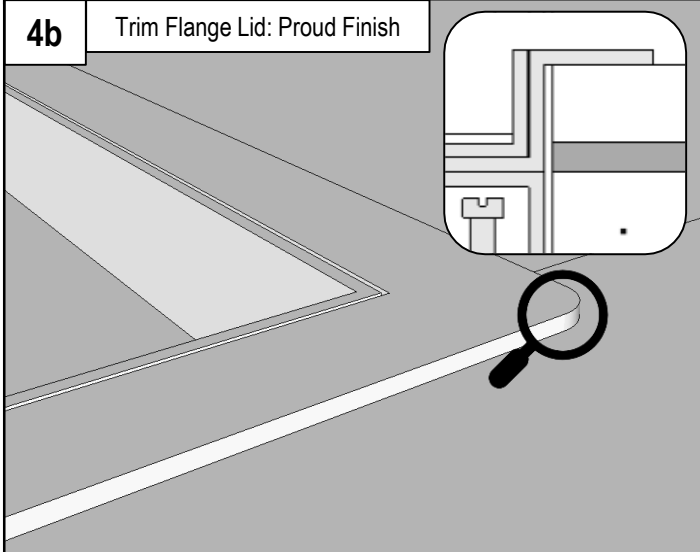
Retro Fit – Minima & 700 Series



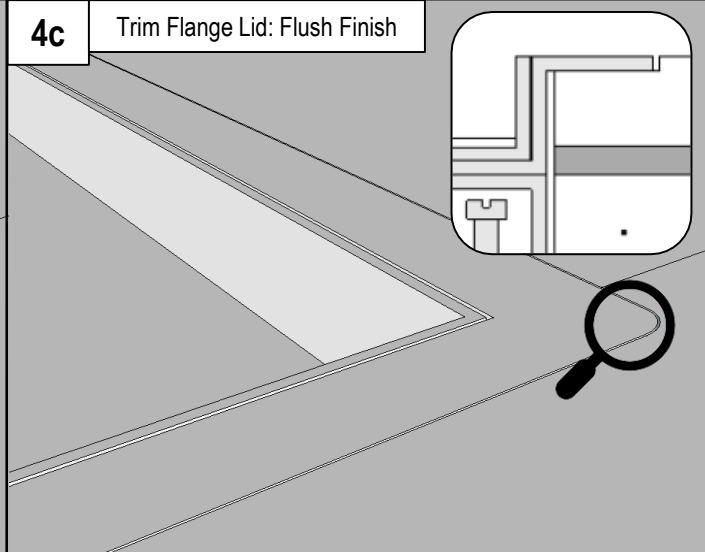
If lid and lid frame is sitting low, readjust upwards & level. You may need to loosen and retighten lock nut.



If lid is proud, you may need to set the floor box lower down in your sub floor to ensure lid sits level & flush with floor finish.



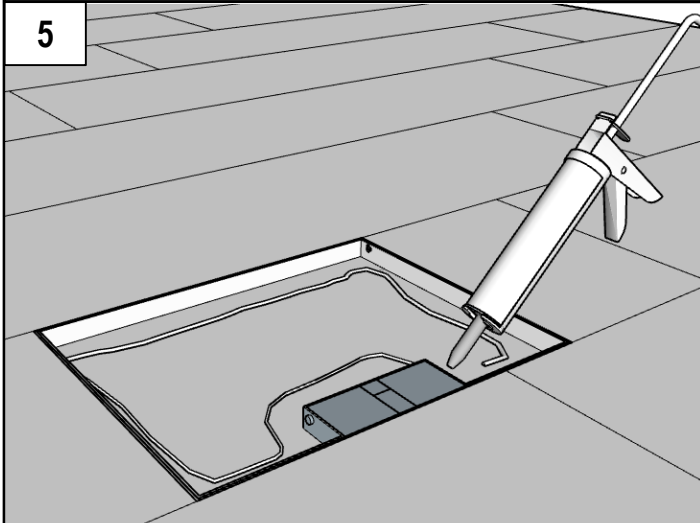
4b Trim Flange Lid: Proud Finish



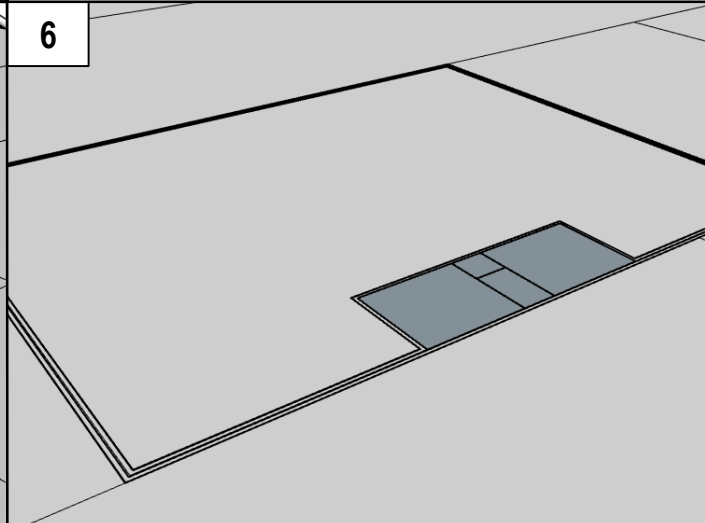
4c Trim Flange Lid: Flush Finish

For proud finish: Trim flange lid is 1.5mm proud of surrounding floor finish.

For flush finish: Trim flange lid is rebated 1.5mm into surrounding floor finish.



5



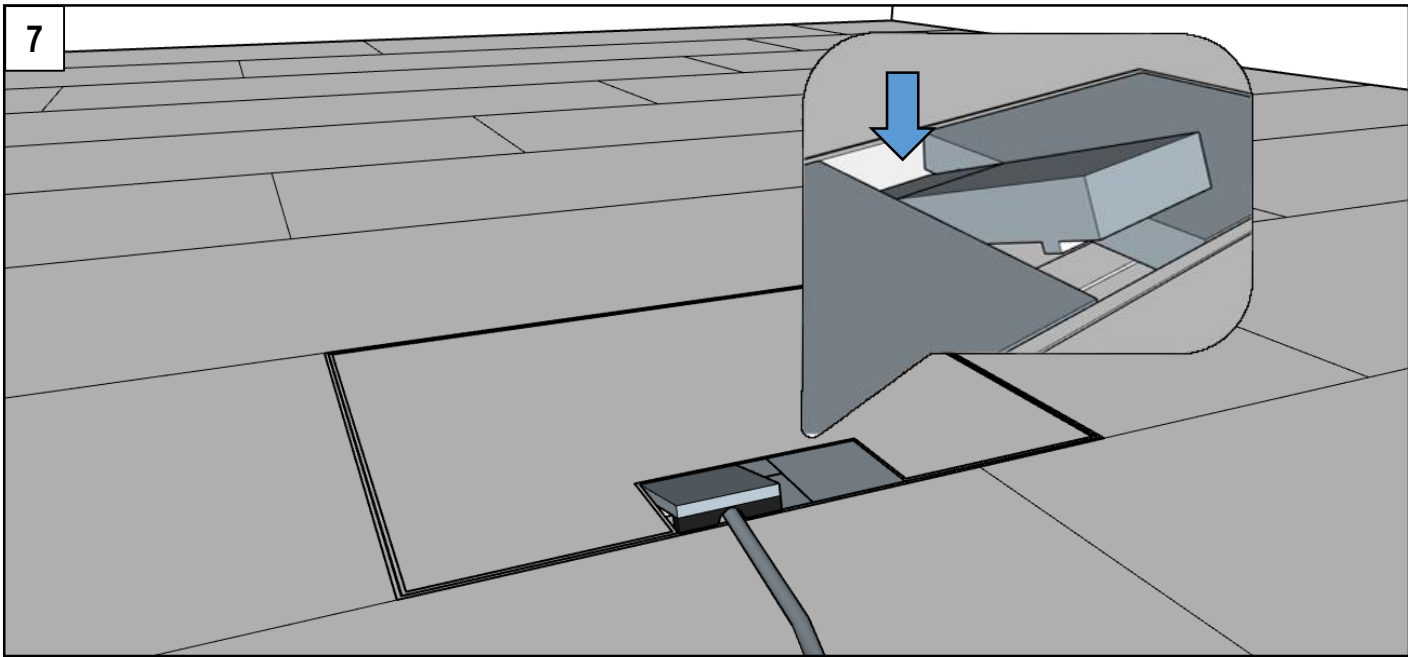
6

Apply suitable amount of adhesive into recessed lid.

Insert final floor finish into lid, making sure it sits flush with the lid and lid frame trim.

INSTALLATION MANUAL

Retro Fit – Minima & 700 Series



Minima Rectangular Retro Fit Floor Box Dimensions

| Product Code | Compartments | Base Box Dimensions | Base Box Depth | Frame Dimensions |
|--|--------------|---------------------|-----------------------------------|------------------|
| MIN-M1X ¹ -XX ² -RETRO | 1 | 250x148mm | 65 ³ mm, 85mm or 120mm | 250x148mm |
| MIN-M2X ¹ -XX ² -RETRO | 2 | 233x250mm | 65 ³ mm, 85mm or 120mm | 233x250mm |
| MIN-M3X ¹ -XX ² -RETRO | 3 | 320x250mm | 65 ³ mm, 85mm or 120mm | 320x250mm |
| MIN-M4X ¹ -XX ² -RETRO | 4 | 407x250mm | 65 ³ mm, 85mm or 120mm | 407x250mm |

Minima Square Retro Fit Floor Box Dimensions

| Product Code | Compartments | Base Box Dimensions | Base Box Depth | Frame Dimensions |
|--|--------------|---------------------|-----------------------------------|------------------|
| MIN-MSX ¹ -XX ² -RETRO | 1* | 150x150mm | 65 ³ mm, 85mm or 120mm | 150x150mm |
| MIN-MMX ¹ -XX ² -RETRO | 2 | 200x200mm | 65 ³ mm, 85mm or 120mm | 200x200mm |
| MIN-M0X ¹ -XX ² -RETRO | 3 | 300x300mm | 65 ³ mm, 85mm or 120mm | 300x300mm |

Minima Round Retro Fit Floor Box Dimensions

| Product Code | Compartments | Base Box Dimensions [^] | Base Box Depth | Frame Diameter |
|---|--------------|--|-----------------------------------|----------------|
| MIN-RSX ¹ R-XX ² -RET | 1* | 121mm across corners Hexagonal Base Box | 65 ³ mm, 85mm or 120mm | 127mm |
| MIN-ROX ¹ R-XX ² -RET | 2 | 191mm across corners Hexagonal Base Box | 65 ³ mm, 85mm or 120mm | 193mm |
| MIN-RLX ¹ R-XX ² -RET | 3 | 287mm across corners Octagonal Base Box | 65 ³ mm, 85mm or 120mm | 289mm |



700 Series Rectangular Retro Fit Floor Box Dimensions

| Product Code | Compartments | Base Box Dimensions | Base Box Depth | Frame Dimensions |
|---|--------------|---------------------|-----------------------------------|------------------|
| SBOX-71X ¹ -XX ² -RETRO | 1 | 250x148mm | 65 ³ mm, 85mm or 120mm | 250x148mm |
| SBOX-72X ¹ -XX ² -RETRO | 2 | 233x250mm | 65 ³ mm, 85mm or 120mm | 233x250mm |
| SBOX-73X ¹ -XX ² -RETRO | 3 | 320x250mm | 65 ³ mm, 85mm or 120mm | 320x250mm |
| SBOX-74X ¹ -XX ² -RETRO | 4 | 407x250mm | 65 ³ mm, 85mm or 120mm | 407x250mm |

700 Series Square Retro Fit Floor Box Dimensions

| Product Code | Compartments | Base Box Dimensions | Base Box Depth | Frame Dimensions |
|---|--------------|---------------------|-----------------------------------|------------------|
| SBOX-7SX ¹ -XX ² -RETRO | 1* | 150x150mm | 65 ³ mm, 85mm or 120mm | 150x150mm |
| SBOX-7MX ¹ -XX ² -RETRO | 2 | 200x200mm | 65 ³ mm, 85mm or 120mm | 200x200mm |
| SBOX-70X ¹ -XX ² -RETRO | 3 | 300x300mm | 65 ³ mm, 85mm or 120mm | 300x300mm |

700 Series Round Retro Fit Floor Box Dimensions

| Product Code | Compartments | Base Box Dimensions ^A | Base Box Depth | Frame Diameter |
|---|--------------|--|-----------------------------------|----------------|
| SBOX-7RSX ¹ R-XX ² -RET | 1* | 121mm across corners Hexagonal Base Box | 65 ³ mm, 85mm or 120mm | 127mm |
| SBOX-7ROX ¹ R-XX ² -RET | 2 | 191mm across corners Hexagonal Base Box | 65 ³ mm, 85mm or 120mm | 193mm |
| SBOX-7RLX ¹ R-XX ² -RET | 3 | 287mm across corners Octagonal Base Box | 65 ³ mm, 85mm or 120mm | 289mm |

X¹ There is a choice of three standard base box depths to choose from. Use the following: 6=65mm, 8=85mm & 2=120mm deep base boxes.

(i.e M16 = Minima, 1 Compartment with a 65mm base)

XX² Stainless Steel and Brass are standard finishes. Use the following: ST for Stainless Steel or BR for Brass.

³ Minimum overall depth from top of finished floor to bottom is 75mm.

* One single socket size floor box.

^A All hexagonal and octagonal base boxes fit within the frame diameter dimensions.

Standard Fit Floor Box Install Guide Available.



CABLEDUCT

— L I M I T E D —

30 Selhurst Road
London SE25 5QF
020 8683 1126
sales@cableductuk.com
www.cableductuk.com