

INSTALLATION MANUAL

Minima & 700 Series

Rectangular & Square Floor Boxes

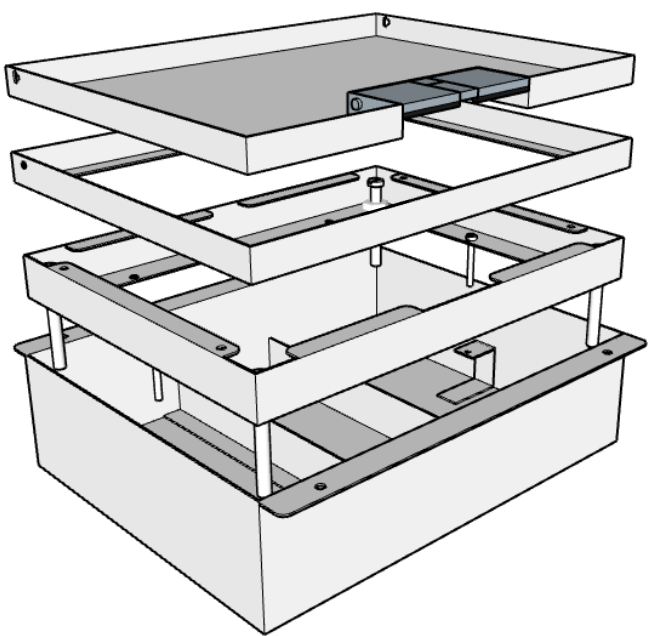
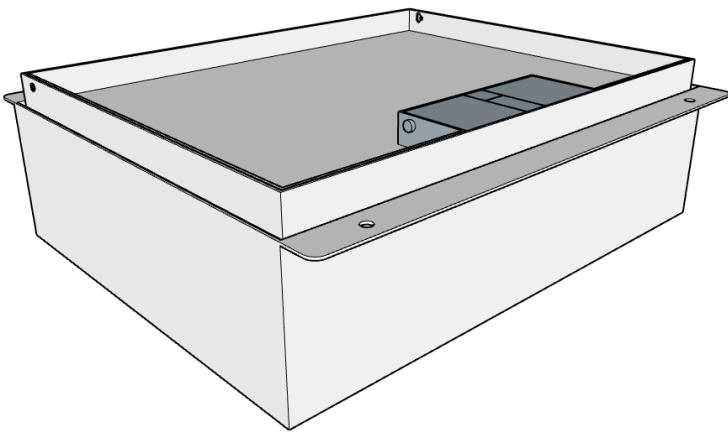
INSTALLATION MANUAL

Minima & 700 Series

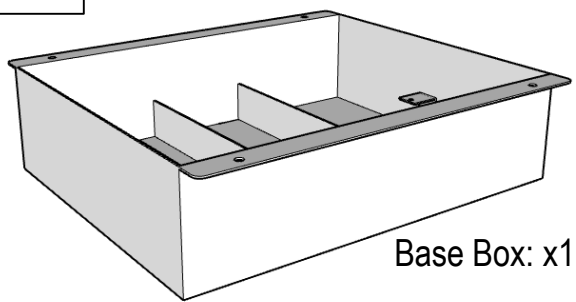


FLOOR BOX INSTALLATION STEPS

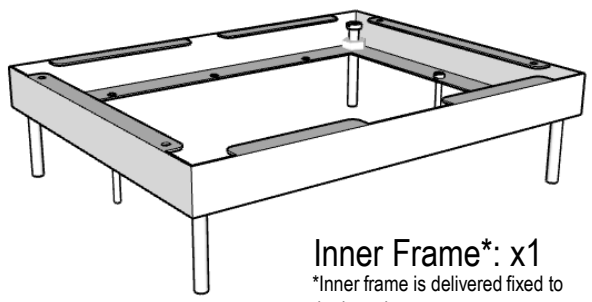
STANDARD FIT BASE BOX:



FIRST FIX:



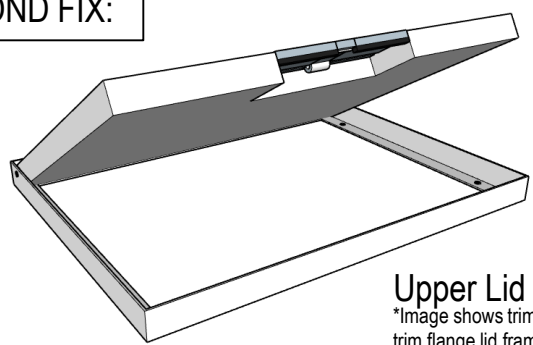
Base Box: x1



Inner Frame*: x1

*Inner frame is delivered fixed to the base box

SECOND FIX:



Upper Lid & Frame*: x1

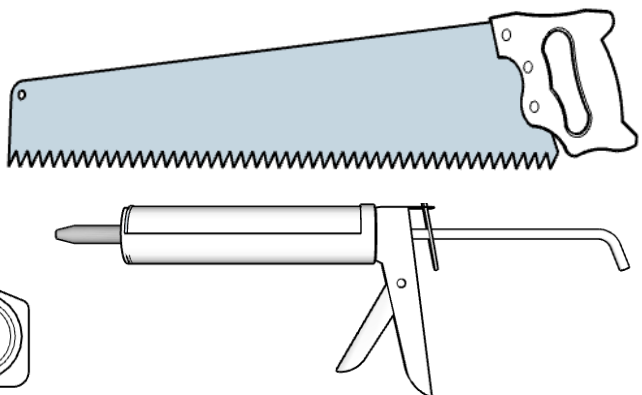
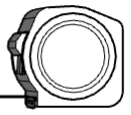
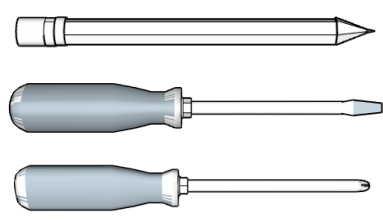
*Image shows trimless lid frame, trim flange lid frame available as option extra



Counter Sunk Lid Screws: x4

M5x10-CS16

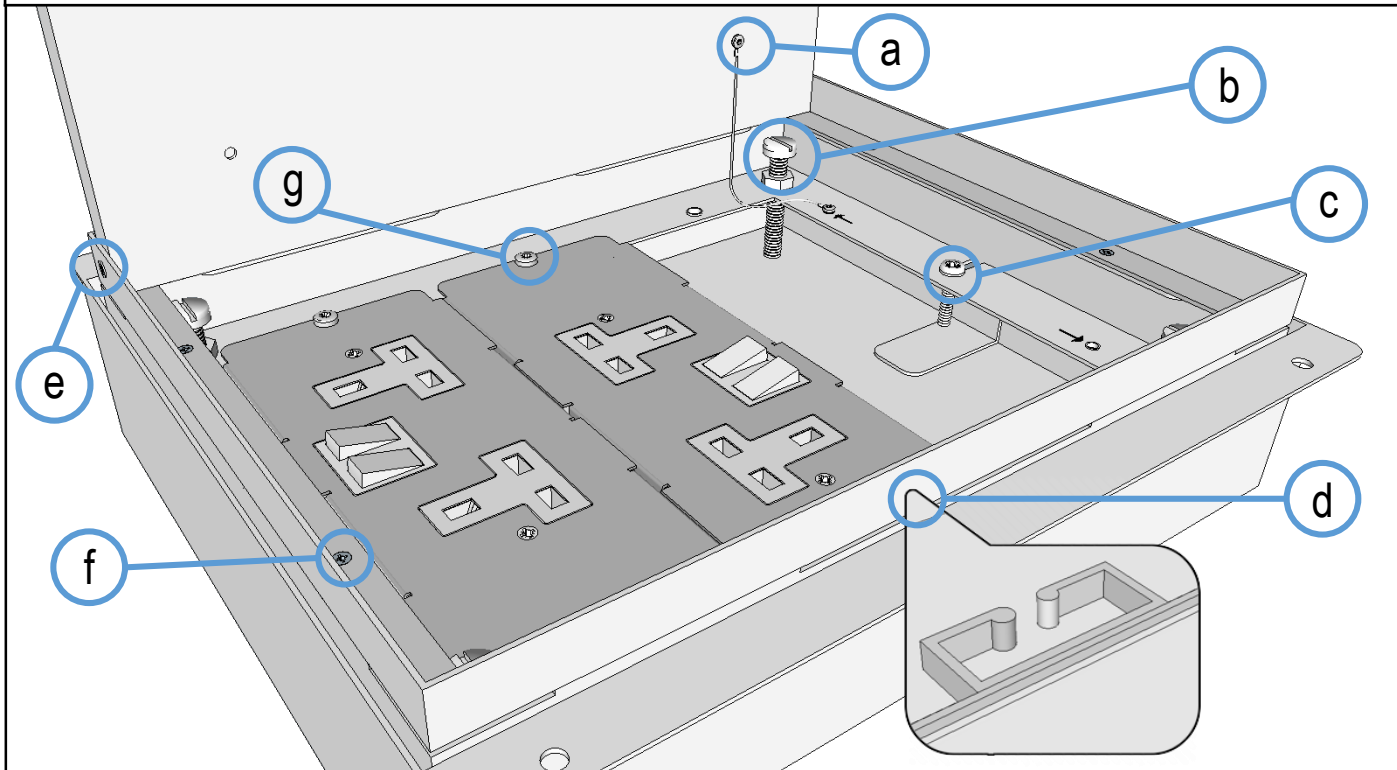
TOOLS NEEDED:



INSTALLATION MANUAL

Minima & 700 Series

SMALL PARTS BREAK DOWN LIST



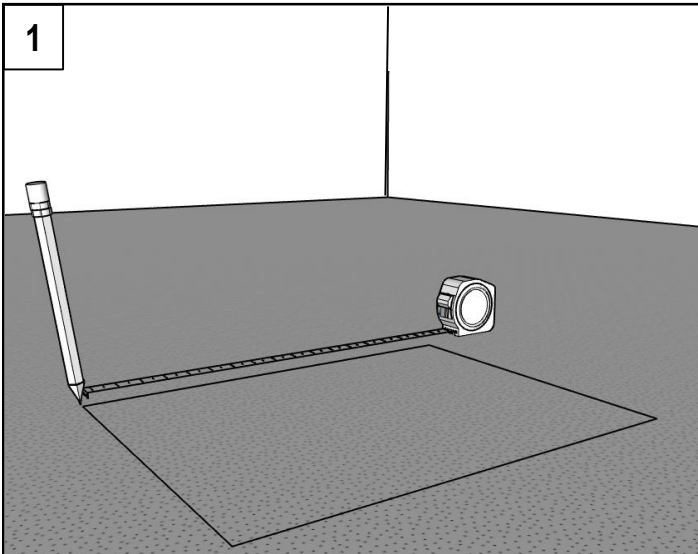
Ref	Item Description	Product Code	Quantity
a	Earth Cable, Earth Screws & Washers	Earth Cable: EARTHWIRE-175mm Earth Screws: M5x4-PH Washers: WASHER-M5x2BA	Earth Cable: 2x Earth Screws: 4x Washers: 4x Per Floor Box
b	Height Adjustment Bolts & Lock Nuts	65mm Base: M8x45-CH 85mm Base: M8x65-CH 120mm Base: M8x80-CH Lock Nut: NUT-M8	Adjustment Bolts: 4x Lock Nuts: 4x Per Floor Box
c	Base & Frame Fixing Screw	65mm Base: M5x20-POZI 85mm Base: M5x40-POZI 120mm Base: M5x40-POZI	2x Per Floor Box
d	Cable Guide	500-CABLE-GUIDE	1 & 2 Compartment Floor Boxes: 1x 3 & 4 Compartment Floor Boxes: 2x
e	Lid Hinge Screws	M5x4-FLAT	2x Per Floor Box
f	Counter Sunk Lid to Frame Fixing Screws	M5x10-CS16	4x Per Floor Box
g	Outlet Plate Fixing Screws	M5x6-PH	2x Per Outlet Plate

Supplied Fitted & Fixed

Supplied Bagged

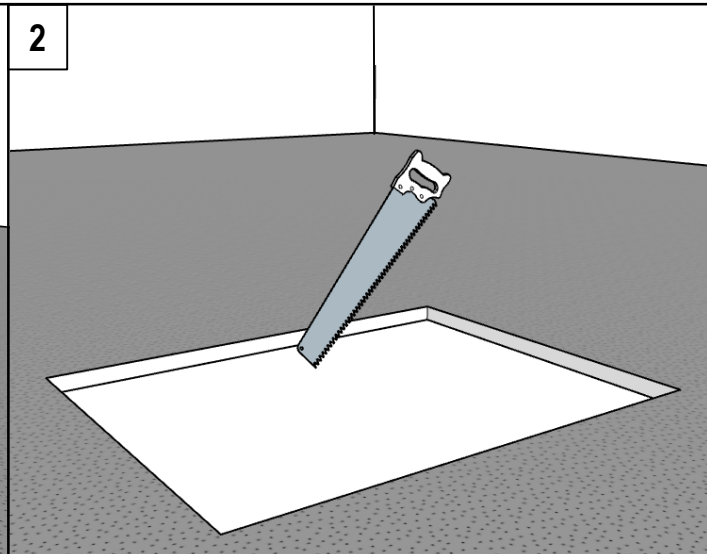
INSTALLATION MANUAL

Minima & 700 Series



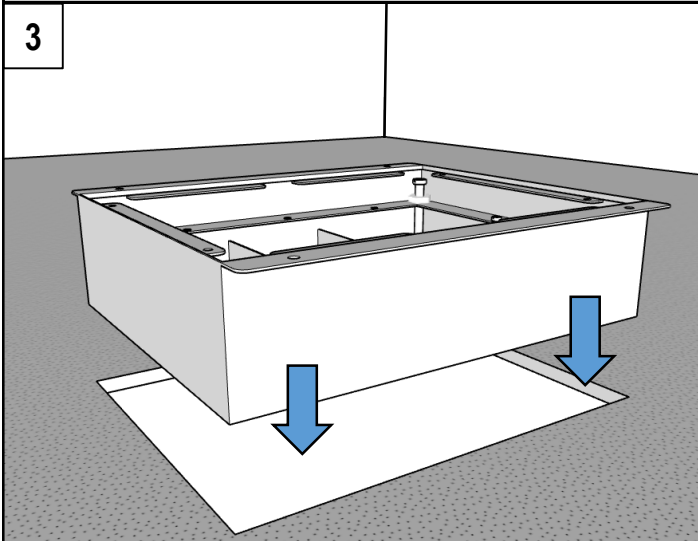
1

Measure out base box dimensions in sub floor.
(Please refer to table on page 7 of manual for dimensions)



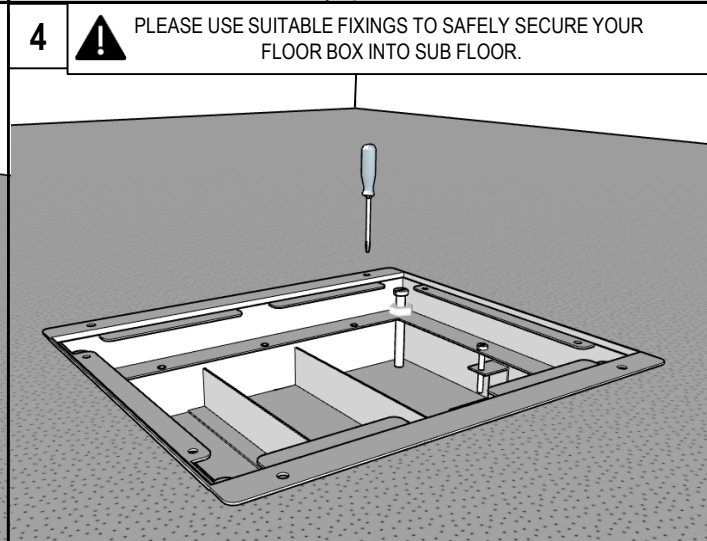
2

Cut out hole in sub floor big enough to fit base box dimensions.
Alternatively for screed sub floors, you can use void formers or scabble out necessary space after screed has set.



3

Lower & fit base box into hole, ensure fixing flange covers enough sub floor to be anchored and fixed securely.

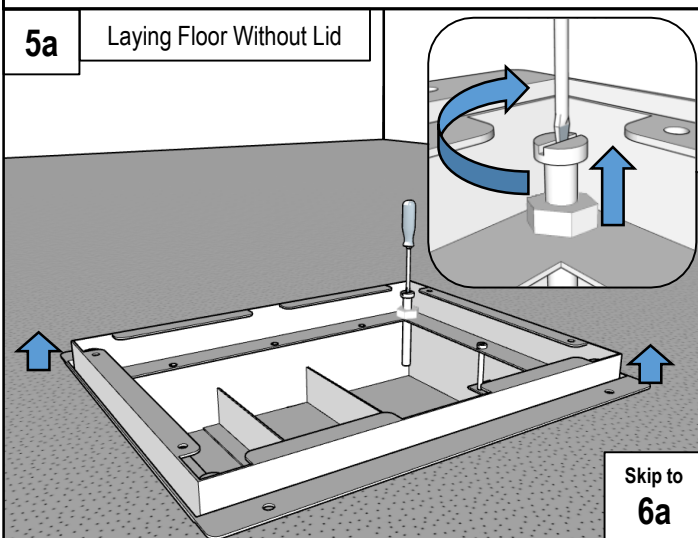


4



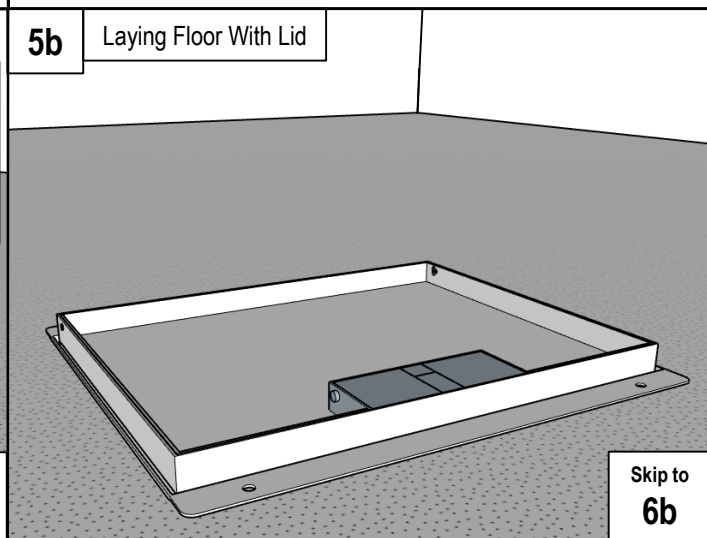
PLEASE USE SUITABLE FIXINGS TO SAFELY SECURE YOUR FLOOR BOX INTO SUB FLOOR.

Securely fix base box to sub floor. Boxes in screed floor should be mounted on a stable level platform & secured to slab.



5a Laying Floor Without Lid

Skip to 6a



5b Laying Floor With Lid

Skip to 6b

Loosen bolt and lock nut (**b***), use a flat head screwdriver, turn all four corners screws to adjust inner frame upwards. Be sure to loosen base and frame fixing screw too (**c***). This will be the template to fit your surrounding final floor. Alternatively, if floor box has been supplied with lid and frame, use the outside dimensions of frame as surrounding floor guide.

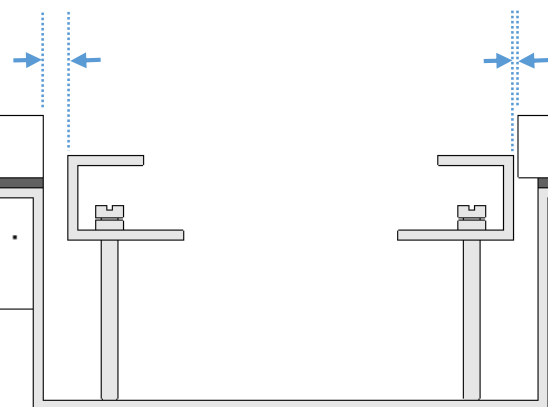
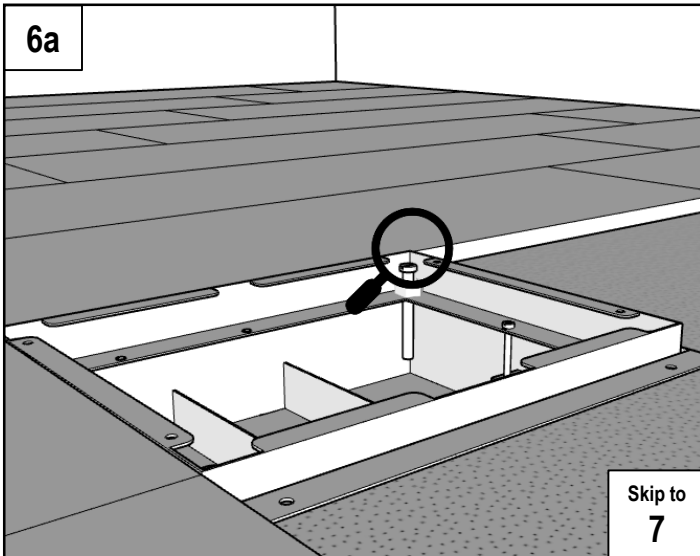
*Refer to small parts list on page 2

INSTALLATION MANUAL

Minima & 700 Series

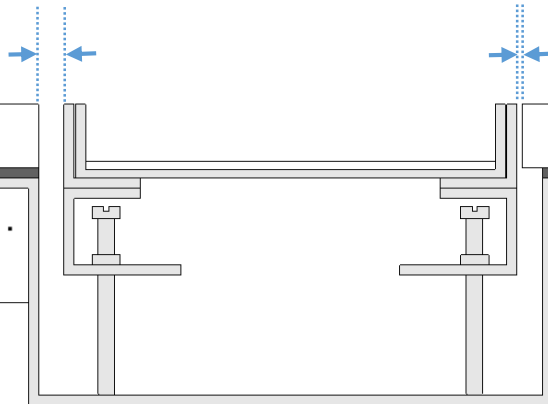
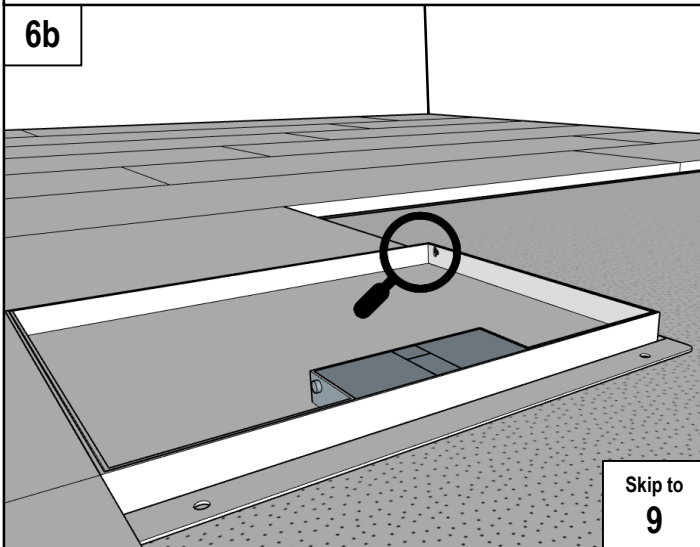


6a



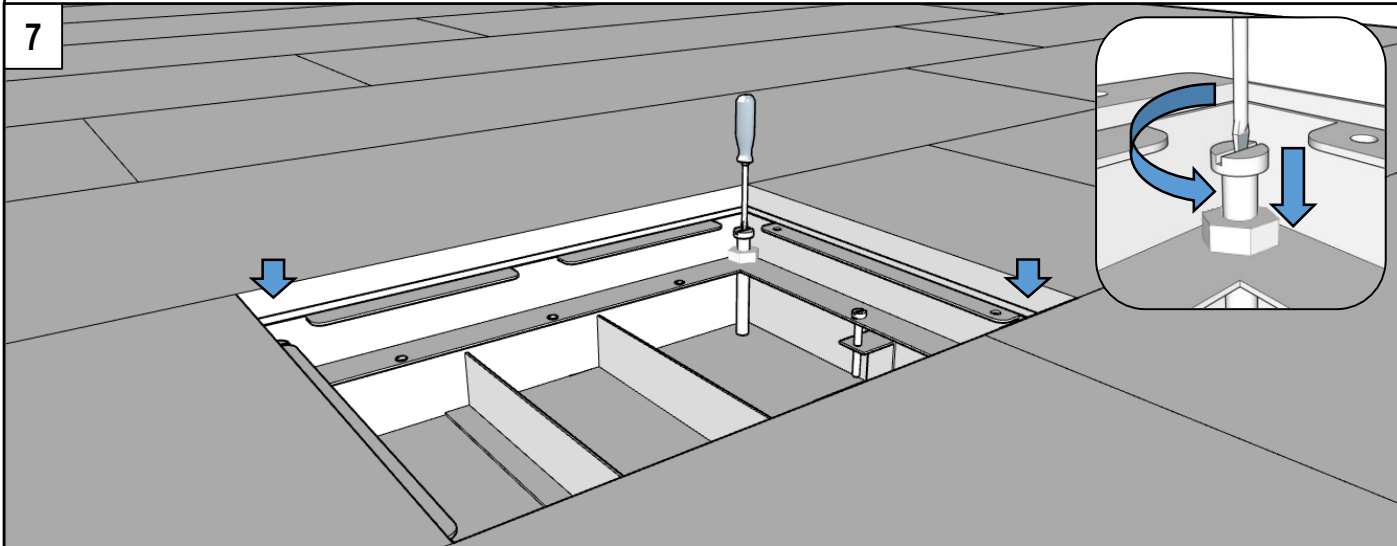
When laying your surrounding floor finish, be sure to use the outside edge of the frame as your final floor finish template and not the edge of the base box as this can leave a large, unsightly gap between the floor finish and the lid.

6b



Alternatively if you are installing complete floor boxes, lay your surrounding floor finish close to outside edge of the lid frame and not the edge of the base box as this can leave a large, unsightly gap between the floor finish and the lid.

7

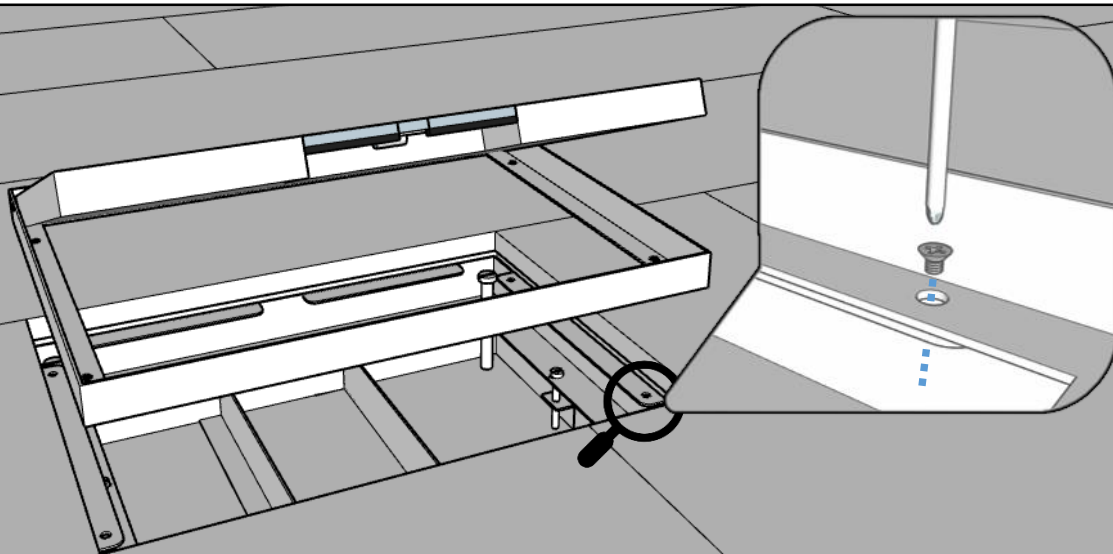


Using a flat head screwdriver, turn all four corner screws to adjust inner frame downwards, allowing for lid and lid frame to sit flush with your final floor finish, retighten lock nut.

INSTALLATION MANUAL

Minima & 700 Series

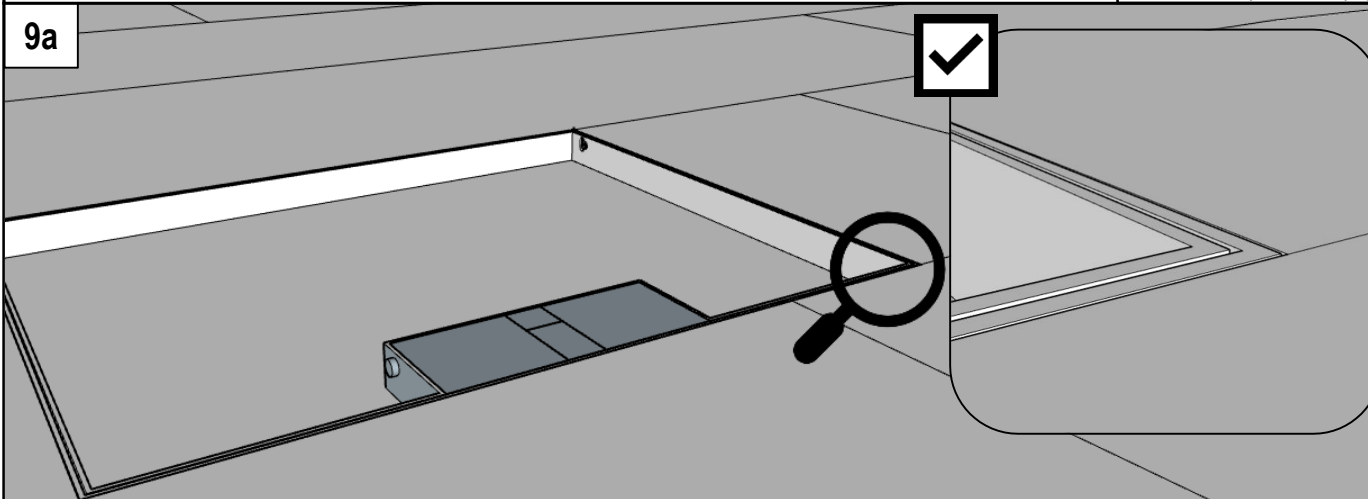
8



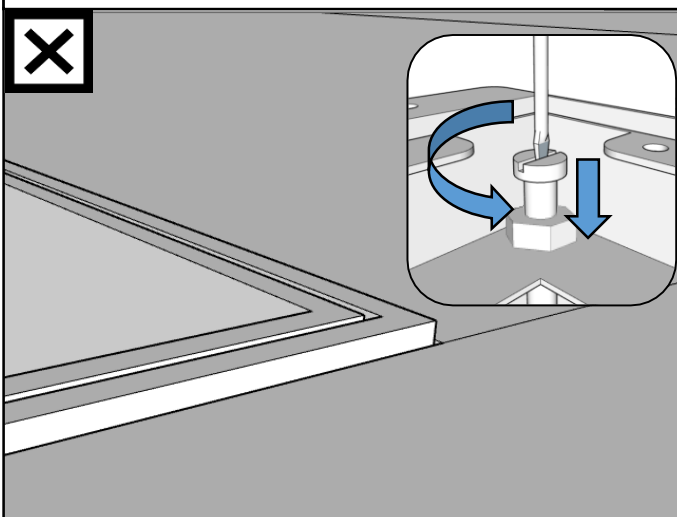
Using the four M5x10mm (e*) counter sunk screws supplied, fix the lid frame to the inner frame via the holes provided.

*Refer to small parts list on page 2

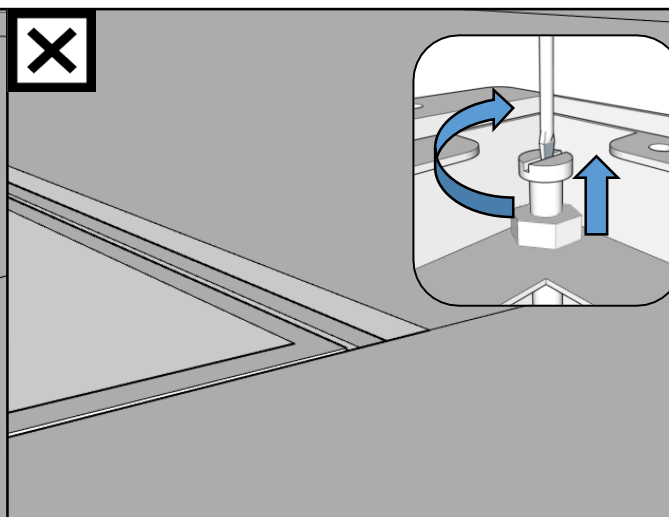
9a



The trim edge of your floor box lid and lid frame should be flush with final floor. Please see 9b and 9c for trim flange lid options.



If lid and lid frame is too high, readjust downwards. You may need to loosen and retighten lock nut.



If lid and lid frame is sitting low, readjust upwards. You may need to loosen and retighten lock nut.

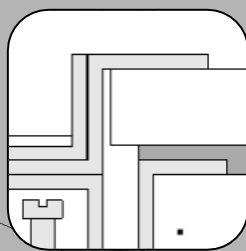
INSTALLATION MANUAL

Minima & 700 Series



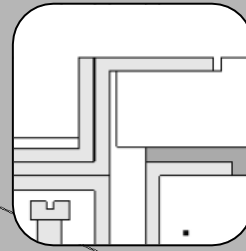
9b

Trim Flange Lid: Proud Finish



9c

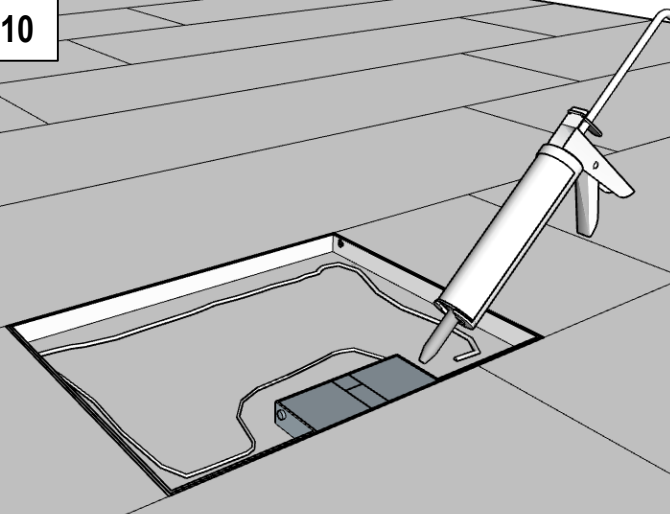
Trim Flange Lid: Flush Finish



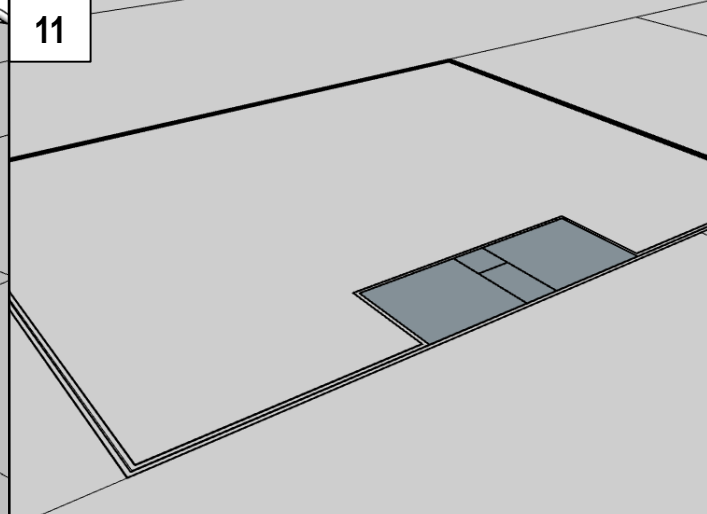
For proud finish: Trim flange lid is 1.5mm proud of surrounding floor finish.

For flush finish: Trim flange lid is rebated 1.5mm into surrounding floor finish.

10



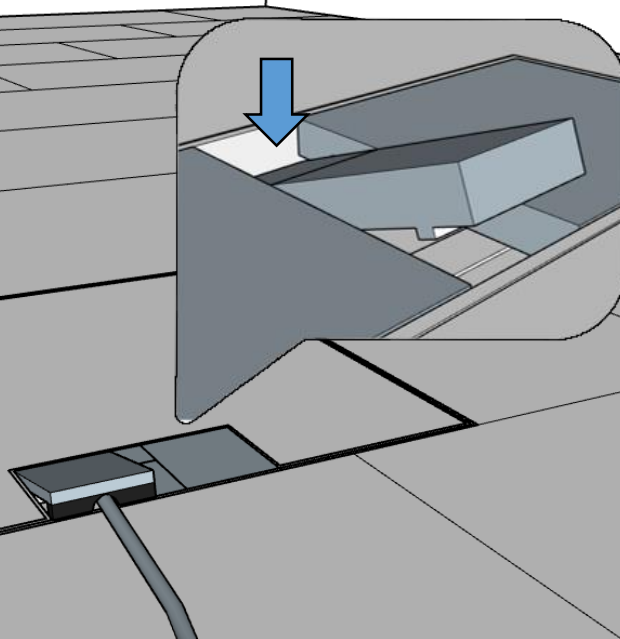
11



Apply suitable amount of adhesive into recessed lid.

Insert final floor finish into lid, making sure it sits flush with the lid and lid frame trim.

12





Minima Rectangular Floor Box Dimensions

Product Code	Compartments	Base Box Dimensions	Base Box Depth	Frame Dimensions
MIN-M1X ¹ -XX ²	1	260x158mm	65 ³ mm, 85mm or 120mm	250x148mm
MIN-M2X ¹ -XX ²	2	243x260mm	65 ³ mm, 85mm or 120mm	233x250mm
MIN-M3X ¹ -XX ²	3	330x260mm	65 ³ mm, 85mm or 120mm	320x250mm
MIN-M4X ¹ -XX ²	4	417x260mm	65 ³ mm, 85mm or 120mm	407x250mm

Minima Square Floor Box Dimensions

Product Code	Compartments	Base Box Dimensions	Base Box Depth	Frame Dimensions
MIN-MSX ¹ -XX ²	1*	160x160mm	65 ³ mm, 85mm or 120mm	150x150mm
MIN-MMX ¹ -XX ²	2	210x210mm	65 ³ mm, 85mm or 120mm	200x200mm
MIN-M0X ¹ -XX ²	3	310x310mm	65 ³ mm, 85mm or 120mm	300x300mm

700 Series Rectangular Floor Box Dimensions

Product Code	Compartments	Base Box Dimensions	Base Box Depth	Frame Dimensions
SBOX-71X ¹ -XX ²	1	260x158mm	65 ³ mm, 85mm or 120mm	250x148mm
SBOX-72X ¹ -XX ²	2	243x260mm	65 ³ mm, 85mm or 120mm	233x250mm
SBOX-73X ¹ -XX ²	3	330x260mm	65 ³ mm, 85mm or 120mm	320x250mm
SBOX-74X ¹ -XX ²	4	417x260mm	65 ³ mm, 85mm or 120mm	407x250mm

700 Series Square Floor Box Dimensions

Product Code	Compartments	Base Box Dimensions	Base Box Depth	Frame Dimensions
SBOX-7SX ¹ -XX ²	1*	160x160mm	65 ³ mm, 85mm or 120mm	150x150mm
SBOX-7MX ¹ -XX ²	2	210x210mm	65 ³ mm, 85mm or 120mm	200x200mm
SBOX-70X ¹ -XX ²	3	310x310mm	65 ³ mm, 85mm or 120mm	300x300mm

X¹ There is a choice of three standard base box depths to choose from. Use the following: 6=65mm, 8=85mm & 2=120mm deep base boxes. (i.e M16 = Minima, 1 Compartment with a 65mm base)

XX² Stainless Steel and Brass are standard finishes. Use the following: ST for Stainless Steel or BR for Brass.

³ Minimum overall depth from top of finished floor to bottom is 75mm.

* One single socket size floor box.

Round Profile Lid Floor Box Install Guide Available.



OUTLET PLATE INSTALLATION & ORIENTATON

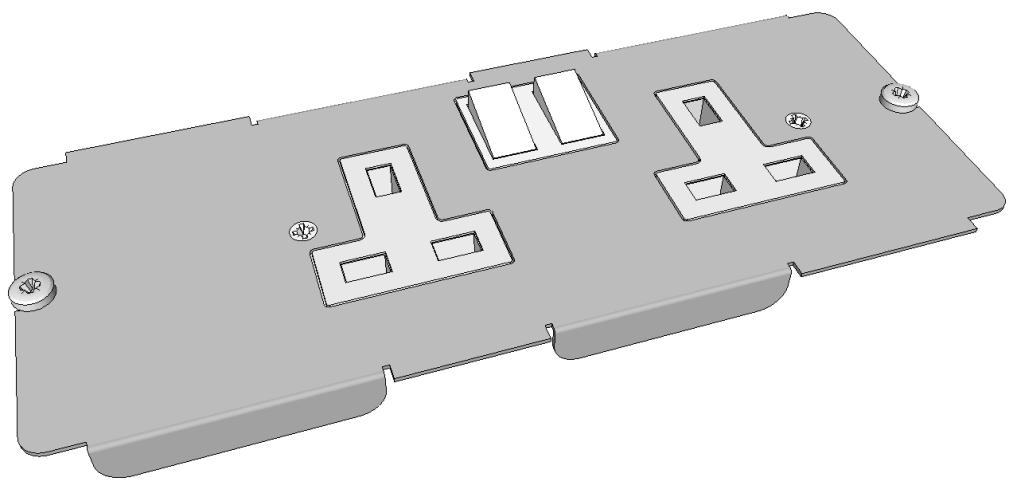
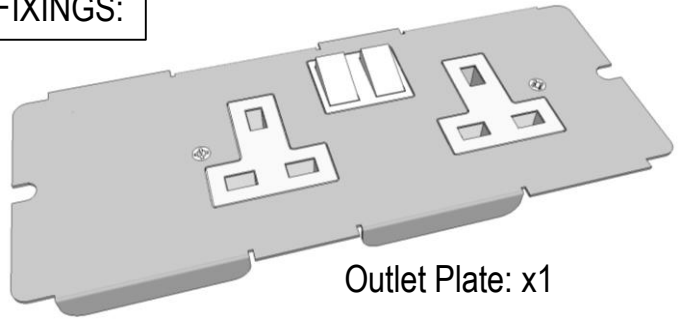


PLATE & FIXINGS:

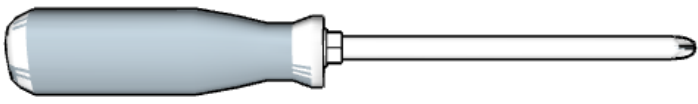


Outlet Plate: x1



Pan Head Outlet Plate Screws: x2
M5x6-PH

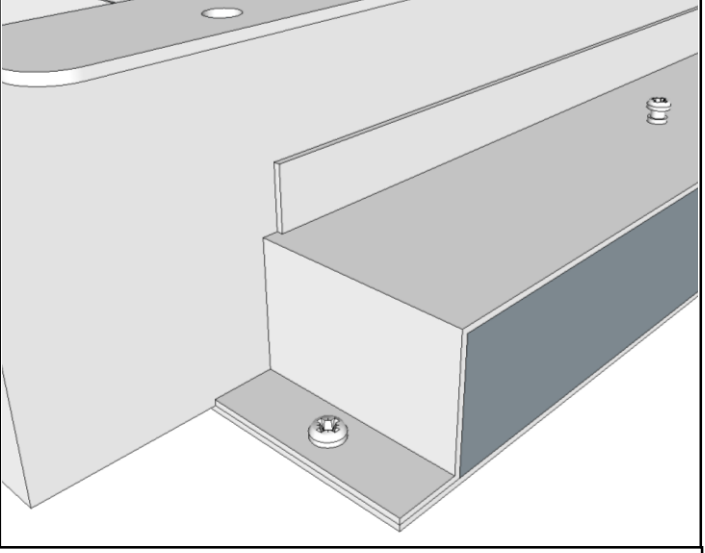
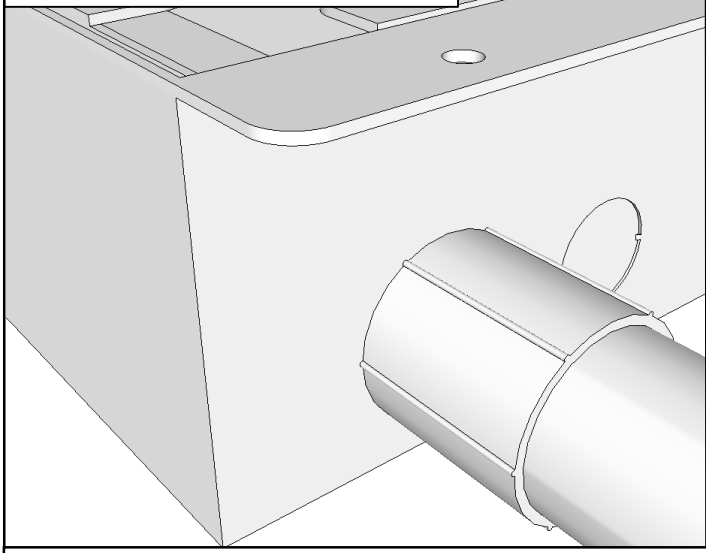
TOOLS NEEDED:



POWER/DATA CABLE FEED:

Conduit/Copex Feed

Trunking Feed

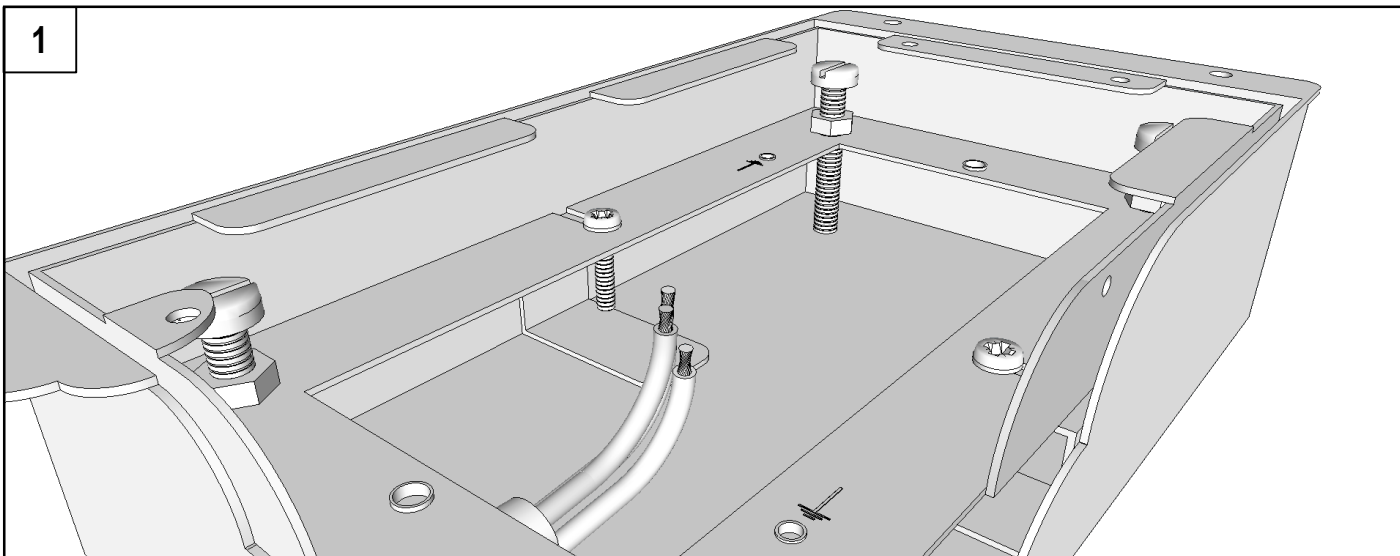


Feed power, data & AV cabling into base box via chosen cabling feed. Base boxes can accept power & data cabling via conduit/Copex or via trunking.

INSTALLATION MANUAL

Minima & 700 Series

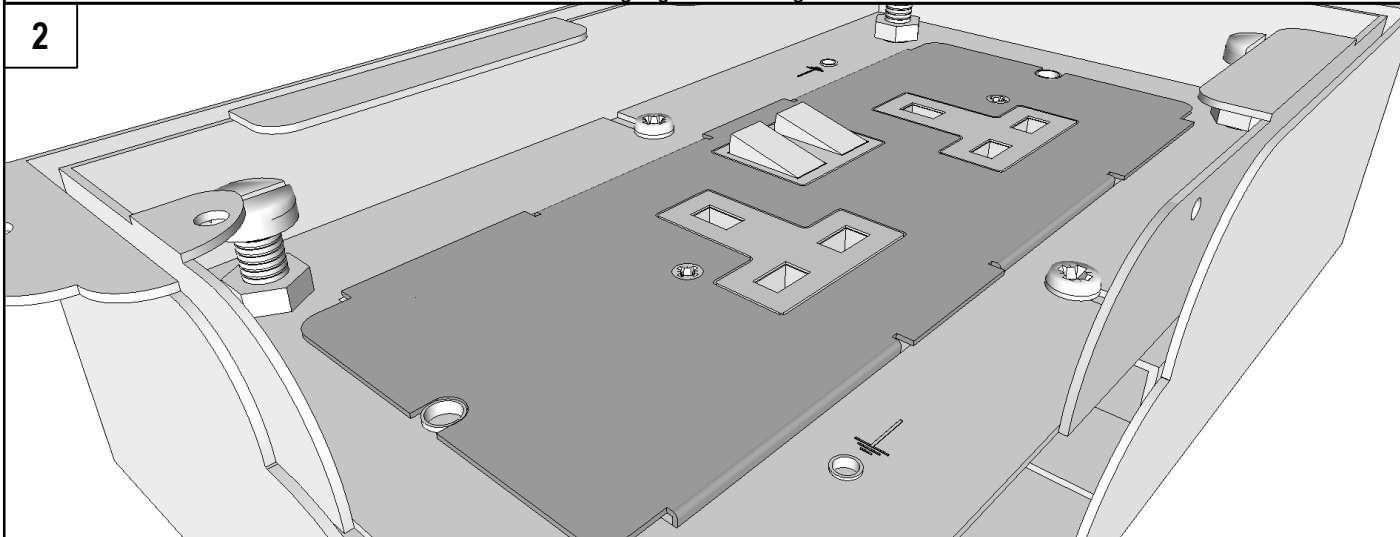
1



Once cables have been brought into the base box, wire the cables up to the underside of outlet plate.

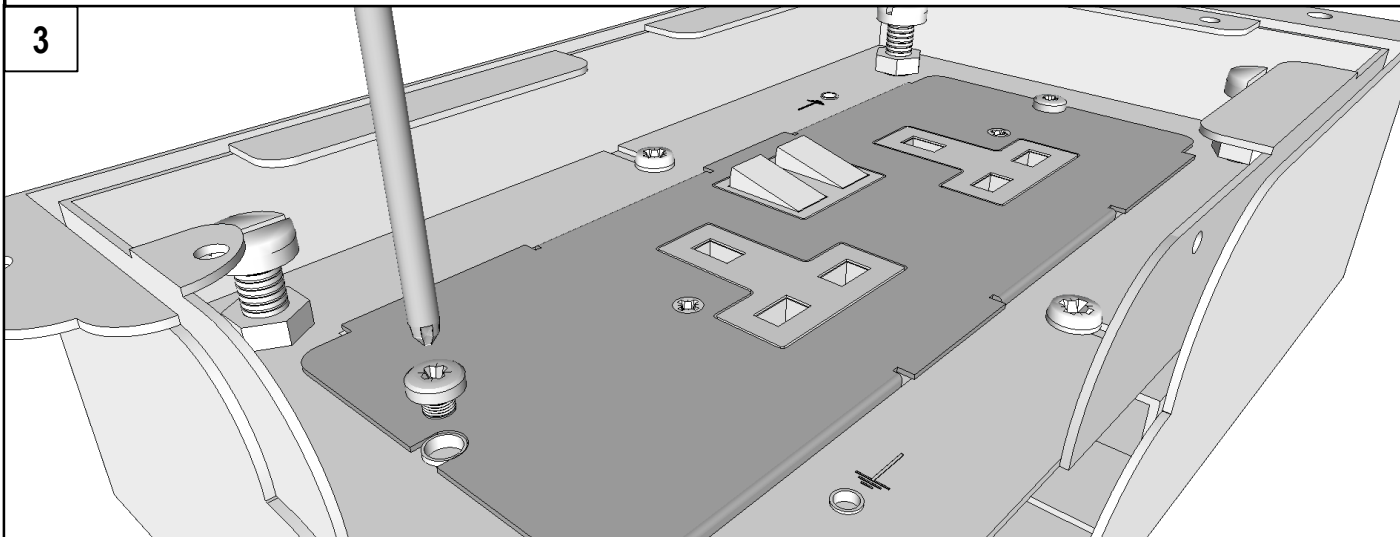
IMPORTANT: Ensure power and data outlet plates are wired in by a professional and is in accordance with all necessary electrical wiring and data cabling regulations and guidelines.

2



Once the outlet plate has been safely wired up correctly, align plate with compartment mounting holes located on adjustable inner frame.

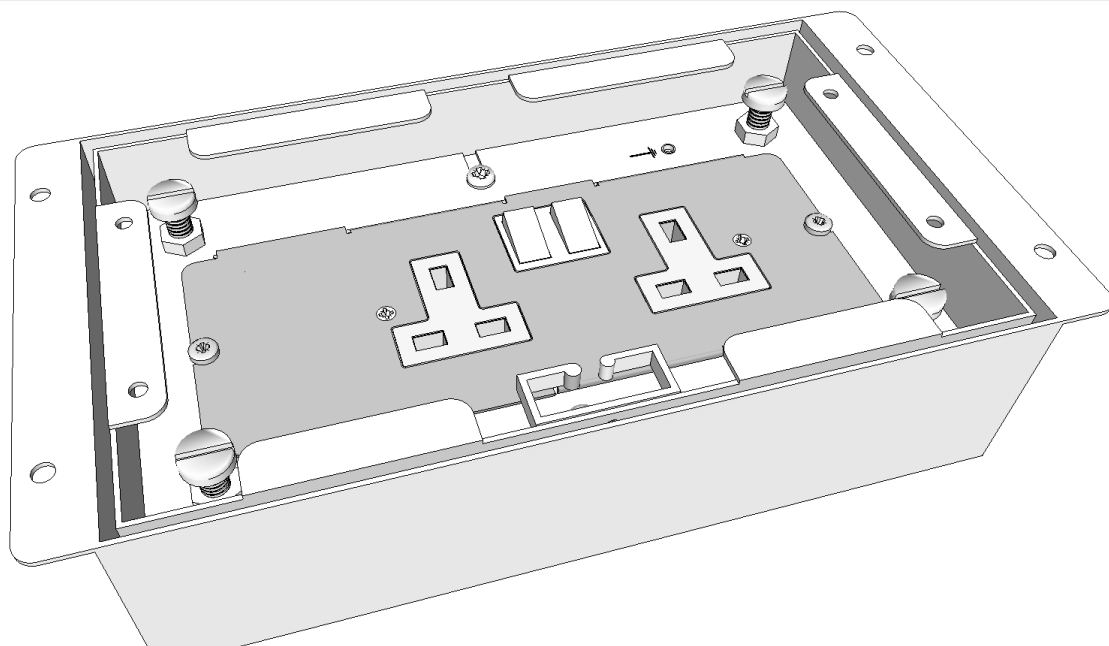
3



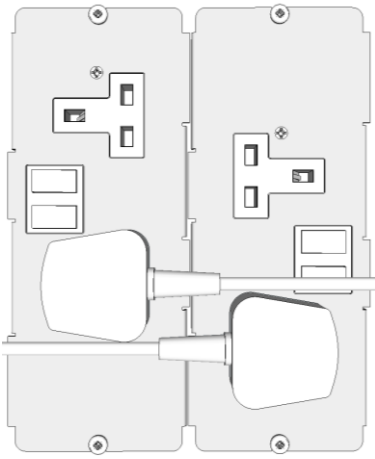
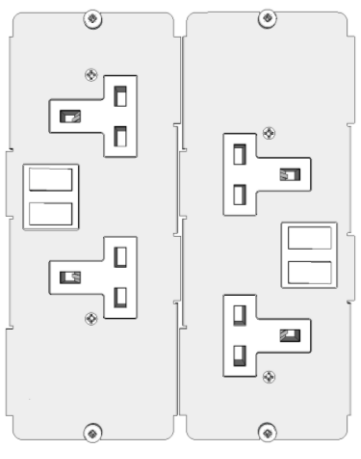
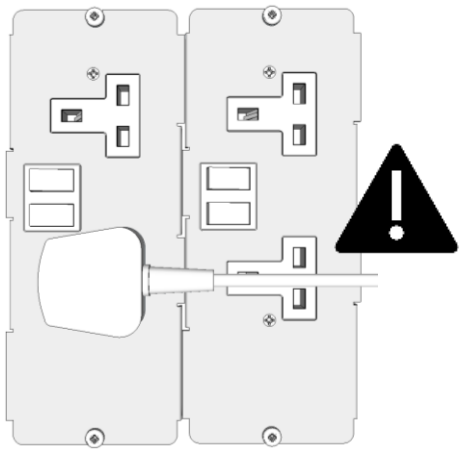
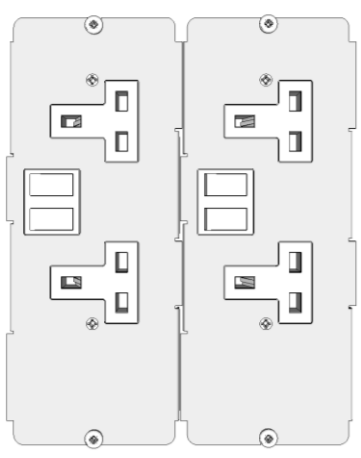
Using two domed M5x6-PH fixing screws supplied with each outlet plate, screw down plate ensuring securely fixed in place.



4



MULTIPLE POWER OUTLET PLATES ORIENTATON



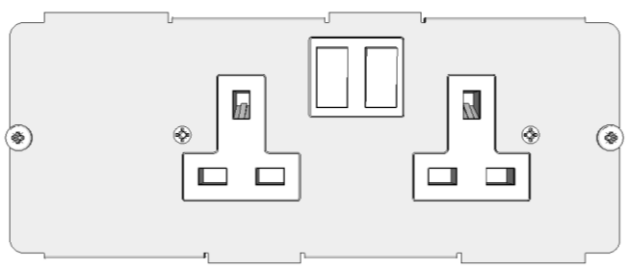
When installing more than one power outlet plate into a floor box, plate orientation needs to be considered to ensure plugs do not interfere from one socket to the next (**Top image**). To help avoid this issue, Cableduct recommends rotating the power outlet plates to stagger the positions of each plug socket (**Bottom image**).

INSTALLATION MANUAL

Minima & 700 Series

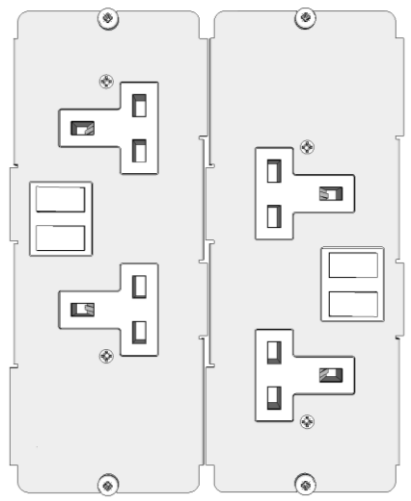


1 Compartment:



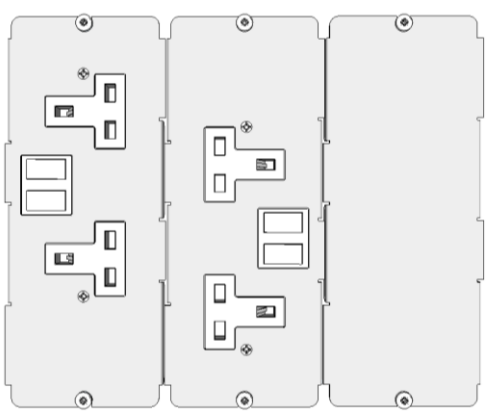
↓ CABLE GUIDE ↓

2 Compartments:



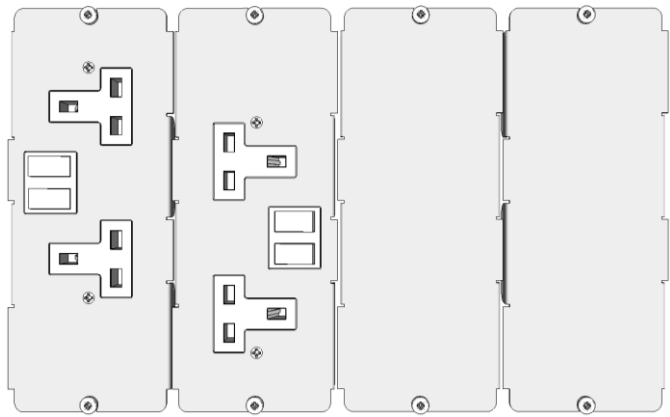
↓ CABLE GUIDE ↓

3 Compartments:

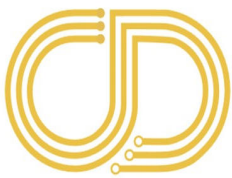


↓ CABLE GUIDE ↓

4 Compartments:



↓ CABLE GUIDE ↓



CABLEDUCT

— LIMITED —

30 Selhurst Road
London SE25 5QF
020 8683 1126
sales@cableductuk.com
www.cableductuk.com